

## **Owner's Manual PHD 200 Dehumidifier**

Model F515

DRI-EAZ PRODUCTS, INC.

15180 Josh Wilson Road, Burlington, WA 98233

Phone: 800-932-3030 Fax: 360-757-7950 [www.EnvironmentsHQ.com](http://www.EnvironmentsHQ.com)

The Dri-Eaz® PHD 200 Dehumidifier reduces humidity in enclosed environments by removing water vapor from the air. The PHD 200 is ideal for crawlspace drying, humidity control and other applications requiring high-performance dehumidification. (Not intended for professional water damage restoration.)

Patents: <http://www.LBpatents.com>

### **READ AND SAVE THESE INSTRUCTIONS**

#### **⚠ WARNING**

Read and understand manual before operating.



**WARNING! Do not alter or modify your PHD 200 in any way. Use only replacement parts authorized by Dri-Eaz Products, Inc. Modifications or use of unapproved parts could create a hazard and will void your warranty. Contact your authorized Dri-Eaz distributor for assistance.**

**WARNING! Electric shock hazard, rotating fan, hot surface hazards. Unplug unit before opening cover for cleaning or servicing.**

**WARNING! Unit must be grounded.**

- Keep motor and wiring dry. Keep out of standing water and do not install in area likely to be subject to water intrusion. Do not expose to rain, water or snow.
- Insert three-prong plug on power cord into a matching electrically grounded outlet. Do not use adapter. Never cut off third prong.
- Do not use an extension cord.
- To reduce the risk of fire or electric shock, do not use this unit with any solid-state speed control device.

#### **FIRE HAZARD**

- Keep away from open flames and heat sources.
- Do not use or store where vapors from gasoline, solvents, thinners or other flammable materials may be present.

**WARNING! Unplug unit before cleaning or servicing.**

- Turn off unit and unplug before lifting or moving.
- Handle the unit carefully. Always operate the unit on a stable, level surface. Do not drop, throw, or place where it could fall. Rough treatment can damage the unit, and may create a hazardous condition or void the warranty.
- Inspect the power cord before use. If cord is damaged, do not use. Always grasp the plug (not the cord) to unplug.
- The unit must be operated on a 115V/60 Hz circuit protected by a Ground Fault Circuit Interrupter (GFCI) device.
- Do not attempt to repair the unit. For Authorized Service Centers, call Dri-Eaz at 800-932-3030.

### **BEFORE YOU BEGIN**

#### **Warranty registration**

Visit [warranty.drieaz.com](http://warranty.drieaz.com) to register your purchase. Registration allows us to better assist you with using, maintaining or servicing your equipment and to contact you in case we have important safety information concerning your Dri-Eaz product. If you determine service is required, have your equipment model, serial number and original proof of purchase available and call your distributor for assistance with obtaining a return material authorization (RMA).

#### **INTRODUCTION**

The PHD 200 Dehumidifier reduces humidity in enclosed structures by removing water vapor from the air. With proper use, the PHD 200 can help to dry out damp structural materials, insulation, and contents, and maintain a healthy level of humidity. Using the PHD 200 may also prevent secondary damage caused by high humidity.

## How the PHD 200 works

The PHD 200 refrigerant dehumidifier uses a fan to draw moist air in and condenses it into water that collects in a tray and is automatically pumped out through a drain hose. The PHD 200 is preset to automatically maintain a 50% RH level. To change this setting, see “Humidistat Mode” below. Note: Unit automatically shuts off below 40% RH.

### Features:

- Automatic humidistat to set and maintain desired humidity level.
- Recessed handles for easy positioning in confined spaces.
- Quiet operation and low power consumption.

## CONTROLS AND OPERATING INSTRUCTIONS

### Set unit upright

**NOTICE:** Always store, transport, and use the unit in a horizontal position. If the unit is ever placed in a vertical position, return it to the horizontal position and let it stand for at least 30 minutes before turning it on.

### Positioning a Dehumidifier

For best results, operate your dehumidifiers in an enclosed area. Place your dehumidifier away from obstructions, and keep it away from anything that could block airflow into and out of the unit. For more information about creating an optimum drying environment, contact Dri-Eaz at 800-932-3030.

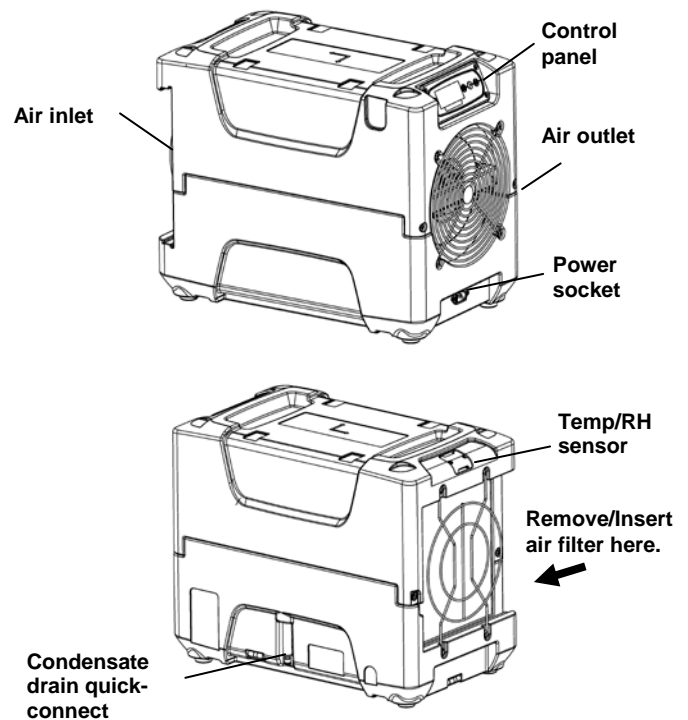
TIP: Before installing in a crawlspace or other difficult to access location, plug in the unit and run it for approximately half an hour to ensure proper operation.

### Set up drain hose

The PHD 200 condensate pump connects to a 20 ft. (6 m) plastic drain hose equipped with a quick-connect fitting for quick attachment to the unit. To set up the hose, unwrap the entire hose and place the unattached end in a sink, drain, bucket or outdoors – anywhere that water can drain out safely. Connect the other end of the hose to the PHD 200. If you use a bucket or other container for water collection, check it regularly to prevent overflows.

**NOTICE:** Uncoil and straighten the entire drain hose. Do not leave any part of the hose coiled and do not place the end of the hose higher than 3 ft. (1 m) above the bottom of the unit. Also check for kinks or other obstructions that might restrict the flow of water. Obstructions may cause a water backup and result in overflows.

Fig. A: Parts Identification



### Plug in electrical cord

The PHD 200 should be plugged into a GFCI-protected 115 volt outlet rated for at least 15 amps. Always plug the cord firmly into the unit first, and then plug the other end into a suitable outlet.

### Startup display and normal display modes

When unit is first plugged in to AC power, the control panel display will briefly cycle through a series of readouts. This is part of the unit’s self-diagnosis procedure and no user intervention is required.

### Turn the unit on

The control panel on the PHD 200 dehumidifier has a display and a touchpad with four keys. Press the **1**

ON/OFF to turn the unit on. The unit will now go through a compressor delay countdown (up to sixty seconds in duration) and a self diagnostics process.

Once the compressor delay countdown and self-diagnostics are complete, the display will switch to **normal display mode**.

UNIT ON 00 HRS  
INLET 00°F / INLET 00%

The **first line** of the display shows the total number of hours the unit has been in operation. This value may be reset to zero to track job hours (see “Job Hours Reset” below). The **second line** of the display alternates between inlet temperature and inlet humidity.

## User Settings Menu

A number of display settings may be changed by the user. System information can also be displayed. These items are accessed by pressing **⏏ DISPLAY MENU**. Each press of the key will display the next parameter. When you reach the parameter you wish to adjust, press **➤ MENU SELECTION** to increase the value. Press **⏏ DISPLAY MENU** again to accept the setting and re-start the display cycle. If no keys are selected for 5 minutes the display will automatically reset and return to the normal display mode.

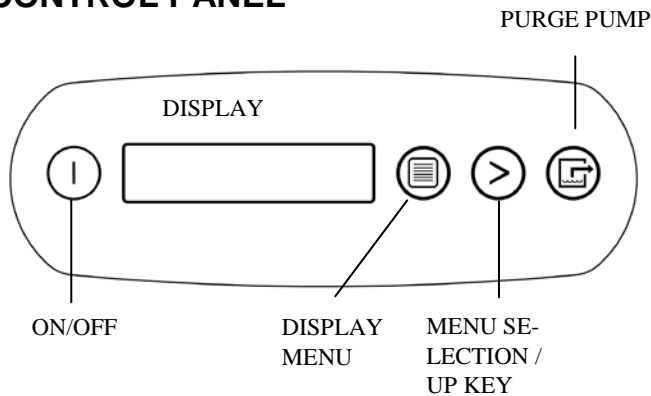
Note that only menu items followed by a greater-than symbol (>) may be adjusted.

All settings and modes are discussed in detail in Control Panel Guide, below.

### Error messages

If the PHD 200 onboard diagnostics discover a problem, the unit will display an error message. See "System Messages," p. 6 for an explanation of each message.

## CONTROL PANEL



ON/OFF	Press and release to turn unit on or off.
DISPLAY MENU	Press to select next item in menu. Menu item will show in display.
MENU SELECTION / UP KEY	Press to toggle or select values in menu displayed.
PURGE PUMP	Press and release to start purge. Display will count down seconds remaining until purge is complete.

## Control Panel Guide

**⏏ ON/OFF.** Press to turn the unit on or off. When the machine is turned on, the display normally reads PLEASE WAIT COMP. DELAY and performs a numeral countdown for a maximum of 60 seconds to 0. This delay allows time for refrigerant pressures to equalize for easier starting. Once the unit completes the compressor delay, the display shows UNIT ON XX HRS and cycles

between INLET XX°F and INLET XX%. NOTE: If no compressor delay countdown is displayed, a delay is not necessary and the machine will begin operation immediately.

**⏏ DISPLAY MENU.** Press to cycle through the display of additional dehumidifier conditions and User Settings. To return to the main menu, press the ON/OFF key once.

**➤ MENU SELECTION.** Press to change the values of the "User Defined" settings. The MENU SELECTION key acts as the UP key for adjusting the setpoint for Humidistat mode operation. See User Settings Menu (below) for details.

**⏏ PURGE.** Press to empty water from the condensate pump reservoir. The display will read PUMP PURGING with a numeral countdown. NOTE: During normal operation, the pump purges automatically every twenty minutes, or whenever the reservoir is full.

### Changing settings and viewing system information

Display setting changes and system information can be accessed by pressing **⏏ DISPLAY MENU**. Each press of the key will display the next parameter (see list below). When you reach the parameter you wish to adjust, press **➤ MENU SELECTION** to increase the value. Press **⏏ DISPLAY MENU** again to accept the setting and re-start the display cycle. If no keys are selected for 5 minutes the display will automatically reset and return to the normal display mode.

Note that only menu items followed by a greater-than symbol (>) may be adjusted.

#### JOB HOURS RESET? >

Press **➤ MENU SELECTION** to reset hours to zero. NOTE: When in Humidistat mode, the unit will display HUMIDISTAT on the top line during normal operation rather than JOB HOURS.

#### LIFE HOURS 00 HRS

Shows total unit operating hours. Value cannot be modified.

#### INLET      OUTLET 00° 00%      00° 00%

Shows current temperature and RH of inlet and outlet.

## Normal Operation

The PHD 200 is preset to automatically maintain a 50% RH level. To change this setting, see “Humidistat Mode” below. Note: Unit automatically shuts off below 40% RH.

## Humidistat Mode

**HUMIDISTAT MODE  
ON/OFF >**

In ON mode, unit will maintain the humidistat setpoint (see below). Press **⊙** MENU SELECTION to toggle between ON and OFF. NOTE: When in Humidistat mode, the unit will display HUMIDISTAT on the top line during normal operation rather than JOB HOURS.

**HUMIDISTAT  
SETPOINT 00% >**

Sets humidity level when unit is in Humidistat Mode. Press **⊙** MENU SELECTION to change RH value. Each press of the button increases the setting by 5% increments, cycling through 90%RH and starting again at 40%RH.

**TEMP UNITS  
F° >**

Shows current temperature scale. Press **⊙** MENU SELECTION to select Fahrenheit or Centigrade scale.

**LANGUAGE  
ENGLISH >**

Shows current display panel language. Press **⊙** MENU SELECTION to select Spanish, German, French or English.

**COIL TEMP  
00°F**

Displays the cold (evaporator) coil temperature.

**SENSOR ID >  
0000000**

This function is not used on the PHD 200.

**COMPRSSR CURRENT  
0.0 A**

Shows compressor current draw in amps.

## AT THE END OF THE JOB

To reduce the possibility of drips when moving the unit, follow these additional steps to ensure that all water is removed from the unit.

**NOTICE:** To ensure the condensate tank empties completely while purging, make sure the unit is positioned horizontally on a flat surface.

1. If the unit is in a defrost cycle, wait until the unit has returned to normal operating mode before proceeding.

To check, review the control panel. The control panel will show one of the following:

*Defrost in progress:*

**UNIT ON 00 HRS  
DEFROST XX**

Display mode when unit is in defrost mode. XX indicates the minutes remaining on the defrost cycle.

*Shutdown Sequence*

**WAIT FOR  
DEFROST XX**

Display mode when unit is in defrost and is powered down by the user. Unit will complete the defrost cycle to remove any built-up ice and then purge the pump. XX indicates the minutes remaining on the defrost cycle.

*Normal Display:*

**UNIT ON 00 HRS  
INLET XX° F**

Wait until the control shows the *normal display* before proceeding.

2. Gently rock the machine to ensure any water remaining on interior surfaces falls into the sump area.
3. Press the **Ⓜ** PURGE key. When the purge cycle is complete, turn the unit off.
4. Remove the external drain hose and drain it carefully before storing it.
5. Unplug power cord from power supply and from base of the machine.

## TRANSPORTATION AND STORAGE

**NOTICE:** Handle the unit carefully. Do not drop, throw, or place the unit where it could fall. Rough treatment can damage this equipment and may create a hazardous condition or void warranty.

- Do not expose the control panel to moisture, snow or rain.
- Protect from freezing.
- Store and transport securely to avoid any damaging impact to internal parts.
- Secure during transport to prevent sliding and possible injury to vehicle occupants.

## MAINTENANCE SCHEDULE

**WARNING! ELECTRIC SHOCK HAZARD. Unplug unit before cleaning or servicing.**

**WARNING:** Risk of dust and contaminants exposure. Use of respirator mask and gloves is recommended. If unit has been exposed to potentially dangerous contaminants, clean thoroughly and sanitize before reuse.

**NOTICE:** The unit is fitted with sensitive electronic sensors. Protect the sensors and their lead wires from damage and do not expose them to water or cleaning solution.

The following tools and supplies are needed to complete the maintenance procedures described in this manual:

- Philips screwdriver
- 10 mm wrench
- 6 mm hex bit
- ¼ in. nut driver
- Cleaning cloths
- HEPA vacuum cleaner with soft brush nozzle and crevice nozzle.

#### Recommended

Cordless drill, small knife, small-jaw pliers, coil cleaning solution, rotomolded housing cleaning solution.

### Before each use

**Inspect the electrical cord for damage.** Look for fraying, cuts, etc. Replace the cord if you find any damage.

**Inspect filter.** The PHD 200 filter should be replaced when the accumulation of dust is visible.

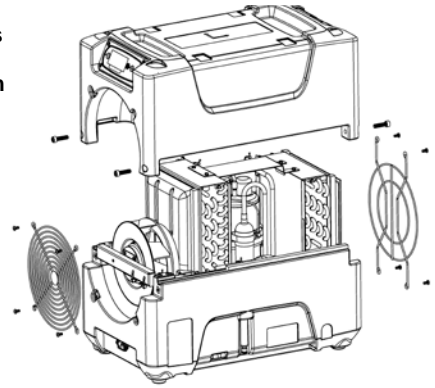
### Monthly

**Inspect and clean coils and interior surfaces.** In normal use, dust can accumulate and can restrict airflow, reducing performance and causing the unit to overheat. Clean when dust accumulation is visible. Remove grills and cover as shown in Fig. B. Use a vacuum cleaner with a brush tool and a soft cloth to remove any debris. Take care not to damage any interior components.

**To maintain appearance,** wipe interior and exterior surfaces with a damp cloth. For deep cleaning and a lasting, protective shine, use an automotive interior cleaner.

### Fig. B: Disassembly for Cleaning

Remove the 4 screws from housing and 2 top screws each from inlet and outlet grills and lift off cover.




### As Needed

**Clean pump check valve and basin.** If the unit displays the message “ER9 PUMP BLOCKED CHECK PUMP & HOSE”, the pump check valve and pump basin may need to be cleaned. Remove grills and cover as shown in Fig. B. Remove screws from pump base and lift out pump. Wipe out pump basin with a damp cloth. Unthread barbed fitting with check valve and rinse fitting and check valve with clean water. Reinstall barbed fitting into pump. Do not overtighten. Reinstall pump on base. Reinstall cover and grills.

**Clean coils.** With the cover removed, inspect both coils. If excessive dust and debris is present, vacuum thoroughly and/or clean with coil cleaner.

## System messages

The PHD 200 control system constantly monitors internal operating conditions. If the system detects a problem, it will produce an error (“ER”) message. If the display shows an ER message, first unplug the unit and then plug it back in. This will usually reset the electronics, and the unit will begin operating normally. If the error message reappears, refer to the explanation and solution shown below. If this still does not fix the problem, contact your local authorized service center or call the Dri-Eaz Service Department at 800-932-3030.

**NOTE: The message “POWER FAILURE” is not a system error. When this message is displayed, it indicates that power to unit was interrupted and then restored. To clear the message, press the  MENU SELECTION key.**

CONTROL PANEL MESSAGE	EXPLANATION AND SOLUTION
ER1 CONTACT SERVICE CENTER	Voltage error. Confirm that unit is connected to a suitable AC power supply and that the circuit is not overloaded. If supply is correct, the electronic control panel may require replacement. If error persists, contact service.
ER2 CONTACT SERVICE CENTER	Control panel error. The electronic control panel may require replacement. If error persists, contact service.
ER3 CONTACT SERVICE CENTER	Unit in defrost too long. Check defrost sensor cable for proper connection. If error persists, sensor assembly may require replacement. Contact service.
ER4 ✓ DEFROST SENSOR CONNECT – alternate message – ER4 ✓ OUTLET SENSOR CONNECT	Sensor error. Check defrost sensor cable for proper connection. If error persists, sensor assembly may require replacement. Contact service.
ER5 ✓ SENSOR CONNECTION ON BD	Check inlet Temp/RH sensor for proper connection. If error persists, contact service.
ER6 CONTACT SERVICE CENTER	High voltage error. The high voltage board may require replacement. If error persists, contact service.
ER7 INVALID MODEL SETTING	Control board DIP switch settings or firmware version may be incorrect. If error persists, contact service. Service may ask you to verify DIP switch settings.
ER8 BUTTON STUCK ✓ ALL BUTTONS	Press each membrane key and check for proper operation. If a key doesn’t function, or if the error persists, the membrane overlay may require replacement. Contact service.
ER9 PUMP BLOCKED ✓ CHECK PUMP & HOSE	Check for obstructions in drain hose. If clogged, remove hose from unit and blow hose out with compressed air. Inspect and clean the pump check valve and pump basin. See “Clean pump check valve and basin” p. 5.

## TROUBLESHOOTING

FAULT	CAUSE	SOLUTION
Water drips out when moving unit	Unit was unplugged before purging was complete.	Purge unit before moving. See "At the End of the Job," p. 4.
Unit does not operate	Unit not switched on. No power to machine.	Switch unit on. Plug in unit; check power cord connection at wall outlet and at base of unit.
Unit operating, but room not dry	Not enough time to dry. Poor air movement in room. Excessive moist air infiltration.	Allow more time for drying. Increase air movement with air movers. Seal off area to reduce infiltration.
Unit collects too little water	Room air is dry. Room temperature is too low. Filter is clogged. Coils are clogged.	Confirm humidity level with hygrometer. Increase room temperature. Check filter. Clean or replace as necessary. Check coils. Clean as necessary.
<p><i>If the problem you are experiencing is not listed here, call your local distributor or contact our Service Department toll-free at 800-932-3030 for further assistance.</i></p>		

## SPECIFICATIONS

Name	PHD 200 Dehumidifier Model F515
Dimensions (W x H x D)	12.5 x 17.6 x 21.5 in. 31.8 x 44.7 x 130.8 cm
Weight (w/ cord & hose)	65 lbs.   29.5 kg
Amps	6.2 amps at 80°F/60% RH
Power	115V / 60Hz
Air movement	180 CFM   5.4 CMM
Water removal	74 pts/day   35 L/day at 80°F/60% RH (AHAM) 120 pts/day   58.6 L/day at 90°F/90% RH
Operating temperature range	45–100°F   7–38°C
<p><i>Specifications are subject to change without notice. Some values may be approximate.</i></p>	

## PARTS INCLUDED

- 20 ft. (6 m) of drain hose with quick-connect fitting.
- 6 ft. (1.8 m) detachable power cord.
- 1 disposable mesh air filter (reorder F527)

## Optional

- Joist Mounting Kit (F526)
- Duct Attachment Kit (F530)

**ADDITIONAL PRODUCT INFORMATION** and current documentation is available at [www.EnvironmentalHQ.com](http://www.EnvironmentalHQ.com).

**FOR PARTS AND SERVICE CALL YOUR LOCAL DISTRIBUTOR** or Dri-Eaz at 800-932-3030.

Visit [warranty.DriEaz.com](http://warranty.DriEaz.com) and register your purchase to ensure you receive any important product information.

## Manual del usuario Deshumidificador PHD 200

Modelo F515

DRI-EAZ PRODUCTS, INC.

15180 Josh Wilson Road, Burlington, WA 98233

Teléfono: 800-932-3030 Fax: 360-757-7950 [www.EnvironmentsHQ.com](http://www.EnvironmentsHQ.com)

El deshumidificador Dri-Eaz® PHD 200 reduce la humedad en ambientes cerrados al eliminar el vapor de agua del aire. El PHD 200 es ideal para el secado espacio de acceso, control de humedad y otras aplicaciones que requieren deshumidificación de alto rendimiento. (No está diseñado para la restauración de daños de agua profesional.)

Patentes: <http://www.LBpatents.com>

### LEA Y GUARDE ESTAS INSTRUCCIONES

#### **⚠️ ADVERTENCIA**

Lea y entienda el manual antes de operar el deshumidificador.



¡ADVERTENCIA! No altere ni modifique su PHD 200 de ninguna forma. Utilice solamente las piezas de repuesto autorizadas por Dri-Eaz Products, Inc. Las modificaciones o el uso de piezas no autorizadas podrían generar riesgos y anular la garantía. Póngase en contacto con su distribuidor Dri-Eaz autorizado para obtener ayuda.

¡ADVERTENCIA! Peligro de choque eléctrico, ventilador giratorio, riesgos por superficies calientes. Desconecte la unidad antes de abrir la cubierta para limpiarla o darle mantenimiento.

¡ADVERTENCIA! La unidad debe estar conectada a tierra.

- Mantenga el motor y el cableado secos. Mantenga la unidad lejos del agua estancada y no la instale en zonas que puedan verse sometidas a entrada de agua. No exponga el deshumidificador a la lluvia, agua o nieve.
- Inserte el contacto de tres clavijas del cable de alimentación a un tomacorriente conectado a tierra. No use un adaptador. Nunca corte la tercera clavija.
- No utilice un cable de extensión.
- Para reducir el riesgo de incendio o descarga eléctrica, no use esta unidad con un dispositivo de control de velocidad de estado sólido.

#### PELIGRO DE INCENDIO

- Mantenga la unidad apartada de flamas abiertas y fuentes de calor.
- No la utilice ni la almacene donde haya vapores de gasolina, solventes, diluyentes u otros materiales inflamables.

¡ADVERTENCIA! Desconecte la unidad antes de limpiarla o darle mantenimiento.

- Apague la unidad y desconéctela antes de levantarla o moverla.
- Maneje la unidad con cuidado. Opere siempre la unidad sobre una superficie estable y nivelada. No la deje caer, no la tire ni la coloque donde pueda caerse. Un trato brusco puede dañar la unidad y puede generar una condición peligrosa o anular la garantía.
- Inspeccione el cable de alimentación antes de utilizar la unidad. Si el cable está dañado, no utilice la unidad. Sujete siempre la clavija (no el cable) para desconectarla.
- La unidad debe operarse en un circuito de 115V/60 Hz protegido por un dispositivo interruptor de circuito por falla en tierra (GFCI, por sus siglas en inglés).
- No intente reparar la unidad. Para consultar una lista de los Centros de Servicio Autorizados, llame Dri-Eaz al 800-932-3030.

#### ANTES DE COMENZAR

##### Registro de la garantía

Visite [warranty.drieaz.com](http://warranty.drieaz.com) para registrar su compra. El registro nos permite ayudarlo mejor con el uso, mantenimiento o servicio de su equipo, y comunicarnos con usted en caso de debamos proporcionarle información de seguridad importante acerca de su producto Dri-Eaz. Si usted considera que la unidad necesita recibir servicio, tenga a la mano la información sobre el modelo de su equipo, el número de serie y el comprobante de



compra original, y llame a su distribuidor para que le ayude a obtener una autorización de devolución de materiales (RMA, por sus siglas en inglés).

## INTRODUCCIÓN

El deshumidificador PHD 200 reduce la humedad en entornos cerrados estructurales al eliminar el vapor de agua del aire. Con el uso apropiado, el PHD 200 puede ayudar a secar materiales estructurales, aislamiento y contenido húmedos, así como a mantener un nivel saludable de humedad. El uso del PHD 200 también puede evitar daños secundarios causados por el exceso de humedad.

### Funcionamiento del PHD 200

El deshumidificador por refrigeración PHD 200 utiliza un ventilador para extraer el aire húmedo y condensarlo en agua, la cual se acumula en una bandeja y se bombea de forma automática hacia afuera a través de una manguera de desagüe. El PHD 200 está preconfigurado para mantener automáticamente un nivel de humedad relativa del 50%. Para cambiar esta configuración, consulte "Modo de humedad con" más adelante. Nota: La unidad se apaga automáticamente por debajo del 40% de humedad relativa.

### Características:

- Modo de humidistato automático para establecer y mantener el nivel de humedad deseado.
- Manijas empotradas para facilitar su colocación en espacios reducidos.
- Funcionamiento silencioso y de bajo consumo de energía.

## CONTROLES E INSTRUCCIONES DE OPERACIÓN

### Coloque la unidad en posición vertical

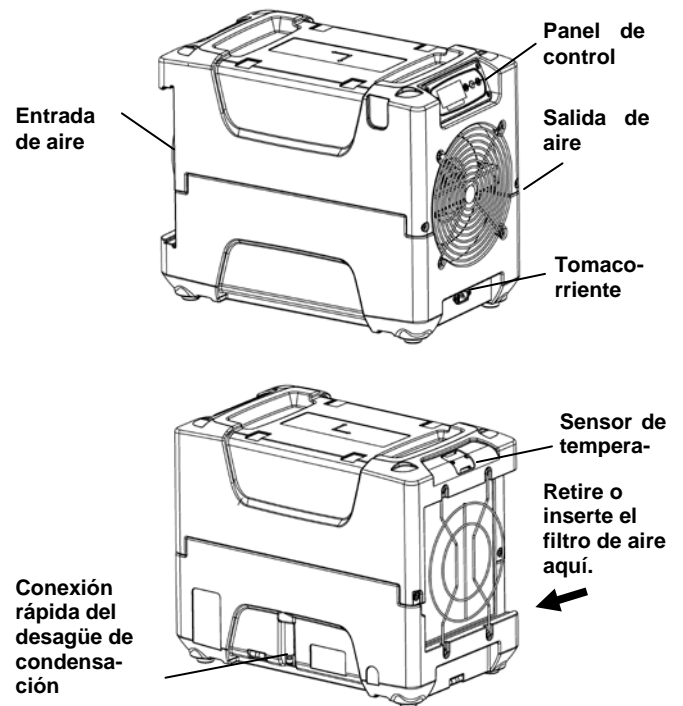
**AVISO:** Siempre almacene, transporte y utilice la unidad en posición horizontal. Si la unidad llegara a colocarse en posición vertical, póngala en posición horizontal de nuevo y déjela reposar durante al menos 30 minutos antes de encenderla.

### Ubicación del deshumidificador

Para obtener los mejores resultados, utilice los deshumidificadores en un área cerrada. Coloque el deshumidificador lejos de obstrucciones y manténgalo alejado de cualquier objeto que pueda bloquear el flujo de aire dentro y fuera de la unidad. Para obtener más información acerca de cómo crear un ambiente de secado óptimo, comuníquese con Dri-Eaz al 800-932-3030.

**CONSEJO:** Antes de instalar la unidad en un sótano de poca altura o cualquier otro lugar de difícil acceso, conecte la unidad y déjela encendida durante aproximadamente media hora para garantizar que funcione correctamente.

## Imagen A: Identificación de las piezas



### Configuración de la manguera de desagüe

La bomba de condensado del PHD 200 se conecta a una manguera de desagüe de plástico que mide 20 pies (6 m) y cuenta con una conexión de acoplamiento rápido para que pueda conectarla con rapidez a la unidad. Para instalarla, desenrolle toda la manguera y coloque el extremo suelto en un lavabo, desagüe, cubo o al aire libre (en cualquier lugar donde el agua pueda drenarse de forma segura). Conecte el otro extremo de la manguera al PHD 200. Si utiliza un cubo u otro recipiente para recoger el agua, revíselo con regularidad para evitar que el agua se derrame.

**AVISO:** Desenrolle y enderece toda la manguera de desagüe. No deje ninguna parte de la manguera enrollada ni coloque el extremo de la manguera a 3 pies (1 m) por encima de la parte inferior de la unidad. También vea si hay torceduras u otras obstrucciones que podrían restringir el flujo de agua. Las obstrucciones pueden provocar una retención del agua y ocasionar derrames.

### Conecte el cable eléctrico

El PHD 200 debe conectarse a un tomacorriente de 115 voltios con protección de GFCI especificado por lo menos para 15 amperios. Siempre conecte firmemente el cable en la unidad primero y luego conecte el otro extremo a un tomacorriente adecuado.

### Pantalla de inicio y modos de visualización normales

Cuando la unidad se conecta por primera vez en la alimentación de corriente alterna (CA), la pantalla del panel de control mostrará brevemente una serie de lecturas en ciclo. Esto es parte del procedimiento de autodia-

gnóstico de la unidad y no se requiere ninguna intervención del usuario.

## Encienda la unidad

El panel de control del deshumidificador PHD 200 tiene una pantalla y un panel táctil con cuatro botones. Presione el botón **1** ON/OFF (ENCENDIDO / APAGADO) para encender la unidad. La unidad realizará un conteo regresivo de retardo del compresor (de hasta sesenta segundos de duración) y un proceso de autodiagnóstico.

Una vez que la cuenta regresiva del compresor y el autodiagnóstico se hayan completado, la pantalla cambiará al **modo de visualización normal**.

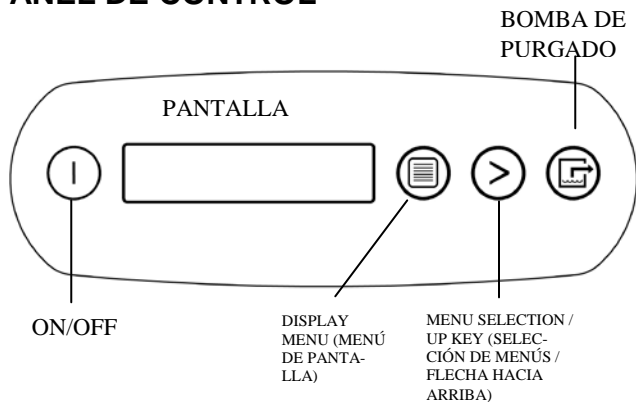
**UNIT ON 00 HRS (UNIDAD ENCENDIDA 00 HRS)**  
**INLET 00°F / INLET 00% (ENTRADA 00° F / ENTRADA 00%)**

La **primera línea** de la pantalla muestra el número total de horas que la unidad ha estado en operación. Este valor puede restablecerse a cero para dar seguimiento a las horas de trabajo (vea "Restablecimiento de horas de trabajo" a continuación). La **segunda línea** de la pantalla muestra alternadamente la temperatura de entrada y la humedad de entrada.

## Menú de configuraciones del usuario

El usuario puede cambiar algunas configuraciones de la pantalla. También se puede mostrar la información del sistema. Se puede tener acceso a estos elementos presionando **2** DISPLAY MENU (MENÚ DE PANTALLA).

## PANEL DE CONTROL



ON/OFF (ENCENDIDO / APAGADO)  
 DISPLAY MENU (MENÚ DE PANTALLA)

Presione y suelte para encender o apagar la unidad.  
 Presione para seleccionar el siguiente elemento del menú. El elemento del menú se mostrará en la pantalla.

MENU SELECTION / UP KEY (SELECCIÓN DE MENÚS / FLECHA HACIA ARRIBA)  
 BOMBA DE PURGADO

Presione para cambiar o seleccionar los valores en el menú desplegado.  
 Presione y suelte para empezar a purgar. La pantalla mostrará una cuenta regresiva de los segundos que faltan para que se complete la purga.

Con cada pulsación del botón se mostrará el siguiente parámetro. Cuando llegue al parámetro que quiera ajustar, presione **3** MENU SELECTION (SELECCIÓN DE MENÚS) para aumentar el valor. Presione **2** DISPLAY MENU (MENÚ DE PANTALLA) de nuevo para aceptar la configuración y volver a iniciar el ciclo de visualización. Si no se selecciona ningún botón durante 5 minutos, la pantalla regresará automáticamente al modo de visualización normal.

Tenga en cuenta que sólo se pueden ajustar los elementos del menú seguidos del símbolo mayor que ( > ).

Todos los ajustes y modos se describen con detalle en la Guía del panel de control, que se encuentra más adelante.

## Mensajes de error

Si el diagnóstico incorporado al PHD 200 detecta un problema, la unidad mostrará un mensaje de error. Consulte "Mensajes del sistema" en la pág. 6 para ver una explicación de cada mensaje.

## Guía del panel de control

**1 ON/OFF (ENCENDIDO / APAGADO).** Presione el botón ON/OFF para encender o apagar la unidad. Cuando el equipo está encendido, la pantalla indica normalmente PLEASE WAIT COMP. DELAY (ESPERE EL RETARDO DEL COMPRESOR) y realiza una cuenta regresiva desde un máximo de 60 segundos hasta 0. Este retardo da tiempo para que se iguale la presión del refrigerante con el fin de facilitar el arranque. Una vez que haya transcurrido el retardo del compresor, la pantalla mostrará UNIT ON XX HRS (UNIDAD ENCENDIDA XX HORAS) y alternará entre INLET XX°F (ENTRADA XX° F e INLET XX% (ENTRADA XX%). NOTA: Si no aparece ninguna cuenta regresiva de retardo del compresor, el retardo no es necesario y la máquina comenzará a funcionar de inmediato.

**2 DISPLAY MENU (MENÚ DE PANTALLA).** Presione para alternar entre la visualización de las condiciones adicionales del deshumidificador y la configuración del usuario. Para volver al menú principal, presione el botón ON/OFF (ENCENDIDO / APAGADO) una sola vez.

**3 MENU SELECTION (SELECCIÓN DE MENÚS).** Presione para cambiar los valores de los ajustes "User Defined" (definidos por el usuario). El botón de MENU SELECTION (SELECCIÓN DE MENÚS) funciona como tecla de flecha hacia arriba para ajustar el punto de operación del funcionamiento en el modo de humidistato. Consulte la sección Menú de configuración del usuario (más adelante) para ver más detalles.

**4 PURGE (PURGA).** Presione para vaciar el agua del depósito de la bomba de condensado. En la pantalla aparecerá PURGING PUMP (PURGANDO BOMBA) con un número de cuenta regresiva. NOTA: Durante el fun-

cionamiento normal, la bomba se purga automáticamente cada 20 minutos, o cada vez que el depósito esté lleno.

### Cambio de configuración y visualización de la información del sistema

Cambia la configuración de la pantalla y se puede tener acceso a la información del sistema presionando **Ⓜ** DISPLAY MENU (MENÚ DE PANTALLA). Con cada pulsación del botón se mostrará el siguiente parámetro (vea la lista más adelante). Cuando llegue al parámetro que quiera ajustar, presione **➤** MENU SELECTION (SELECCIÓN DE MENÚS) para aumentar el valor. Presione **Ⓜ** DISPLAY MENU (MENÚ DE PANTALLA) de nuevo para aceptar la configuración y volver a iniciar el ciclo de visualización. Si no se selecciona ningún botón durante 5 minutos, la pantalla regresará automáticamente al modo de visualización normal.

Tenga en cuenta que sólo se pueden ajustar los elementos del menú seguidos del símbolo mayor que ( > ).

**JOB HOURS  
RESET? (¿RESTABLECER HORAS  
DE TRABAJO?) >**

Presione **➤** MENU SELECTION (SELECCIÓN DE MENÚS) para restablecer las horas a cero. NOTA: En el modo de humidistato, la unidad mostrará HUMIDISTAT (HUMIDISTATO) en la línea superior durante el funcionamiento normal en lugar de JOB HOURS (HORAS DE TRABAJO).

**LIFE HOURS (HORAS DE VIDA)  
00 HRS**

Muestra el total de horas de funcionamiento de la unidad. Este valor no se puede modificar.

**INLET (ENTRADA) OUTLET (SALIDA)  
00° 00% 00° 00%**

Muestra la temperatura actual y la RH de entrada y salida.

### Operación normal

El PHD 200 está preconfigurado para operar en el modo de humidistato a un nivel del 50% de RH. Para cambiar esta configuración, consulte las siguientes instrucciones. Nota: La unidad se apaga automáticamente por debajo del 40% de humedad relativa.

### Modo de humidistato

**HUMIDISTAT MODE (MODO DE  
HUMIDISTATO)  
ON/OFF (ENCENDIDO / APAGADO) >**

En el modo ON (ENCENDIDO), la unidad mantendrá el ajuste predeterminado del humidistato (vea más adelante). Presione **➤** MENU SELECTION (SELECCIÓN DE MENÚS) para alternar entre ON (ENCENDIDO) y OFF

(APAGADO). NOTA: En el modo de humidistato, la unidad mostrará HUMIDISTAT (HUMIDISTATO) en la línea superior durante el funcionamiento normal en lugar de JOB HOURS (HORAS DE TRABAJO).

**HUMIDISTAT  
SETPOINT (PUNTO PREDETERMINADO DEL HUMIDISTATO) 00%>**

Ajusta el nivel de humedad cuando la unidad está en el modo de humidistato. Presione **➤** MENU SELECTION (SELECCIÓN DE MENÚS) para cambiar el valor de RH. Cada vez que se presiona el botón, el valor aumenta en incrementos de 5%, y después del 90% de RH comenzará de nuevo en el 40% de RH.

**TEMP UNITS (UNIDADES DE TEMPERATURA)  
F °>**

Muestra la escala de temperatura actual. Presione **➤** MENU SELECTION (SELECCIÓN DE MENÚS) para seleccionar grados Fahrenheit o centígrados.

**LANGUAGE (IDIOMA)  
ENGLISH (INGLÉS) >**

Muestra el idioma actual del panel de visualización. Presione **➤** MENU SELECTION (SELECCIÓN DE MENÚS) para seleccionar español, alemán, francés o inglés.

**COIL TEMP (TEMP DE BOBINA)  
00° F**

Muestra la temperatura de la bobina (evaporadora) en frío.

**SENSOR ID (ID DEL SENSOR) >  
00000000**

Esta función no se utiliza en el PHD 200.

**COMPRSSR CURRENT (CORRIENTE DEL COMPRESOR)  
0.0 A**

Muestra la corriente del compresor en amperios.

### AL FINAL DE LA OPERACIÓN

Para reducir la posibilidad de que la unidad gotee al moverla, siga estos pasos adicionales con el fin de garantizar que se extraiga toda el agua de la unidad.

AVISO: Para garantizar que el tanque de condensado se vacíe por completo durante el purgado, asegúrese de que la unidad esté en posición horizontal sobre una superficie plana.

1. Si la unidad está en un ciclo de descongelación, espere hasta que ésta vuelva al modo normal de funcionamiento antes de proceder. Para comprobar su estado, revise el panel de control. El panel de control mostrará uno de los siguientes mensajes:

Descongelación en curso:

**UNIT ON 00 HRS (UNIDAD ENCENDIDA 00 HRS)  
DEFROST XX (DESCONGELACIÓN XX)**

Modo de visualización cuando la unidad está en el modo de descongelación. XX indica los minutos restantes del ciclo de descongelación.

Secuencia de apagado


**WAIT FOR  
DEFROST XX (ESPERE A DESCONGELACIÓN XX)**

Modo de visualización cuando la unidad está en descongelación y el usuario la apaga. La unidad terminará el ciclo de descongelación para eliminar el hielo acumulado y luego purgará la bomba. XX indica los minutos restantes del ciclo de descongelación.

Pantalla normal:

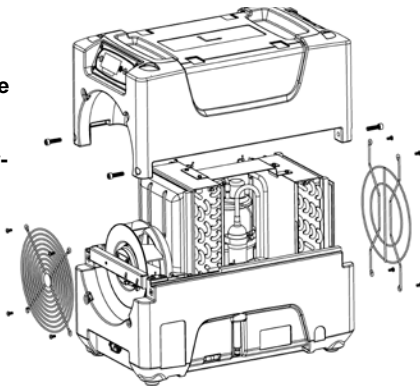
**UNIT ON 00 HRS (UNIDAD ENCENDIDA 00 HRS)  
INLET XX° F (ENTRADA XX° F)**

Espere hasta que aparezca en el panel de control la *visualización normal* antes de proceder.

2. Balancee suavemente la máquina para garantizar que cualquier cantidad de agua que quede en las superficies interiores caiga en el área del resumidero.
3. Presione el botón  PURGE (PURGAR). Cuando el ciclo de purga haya terminado, apague la unidad.
4. Retire la manguera de desagüe externa y drénela con cuidado antes de almacenarla.
5. Desconecte el cable de la fuente de alimentación y de

## Imagen B: Desmontaje para limpieza

Retire los 4 tornillos de la carcasa y los 2 tornillos superiores de cada una de las parrillas de entrada y salida, y levante la cubierta.



la base de la máquina.

## TRANSPORTE Y ALMACENAMIENTO

**AVISO:** Maneje la unidad con cuidado. No la deje caer, no la tire ni la coloque donde pueda caerse. Un trato brusco puede dañar el equipo y puede generar una condición peligrosa o anular la garantía.

- No exponga el panel de control a la humedad, la nieve ni la lluvia.
- Proteja la unidad contra la congelación.
- Almacene y transporte la unidad de forma segura para evitar que las piezas internas se dañen.
- Asegúrela durante el transporte para evitar deslizamientos y posibles lesiones a los ocupantes del vehículo.

## PROGRAMA DE MANTENIMIENTO

**¡ADVERTENCIA! PELIGRO DE DESCARGA ELÉCTRICA. Desconecte la unidad antes de limpiarla o darle mantenimiento.**

**ADVERTENCIA:** Riesgo de exposición al polvo y a contaminantes. Se recomienda utilizar una máscara con respirador y guantes. Si la unidad ha estado expuesta a contaminantes potencialmente peligrosos, limpie y desinfecte la unidad a fondo antes de volver a utilizarla.

**AVISO:** La unidad está equipada con sensores electrónicos sensibles. Proteja los sensores y las puntas de sus cables contra daños y no los exponga al agua ni a la solución de limpieza.

**Se requieren las siguientes herramientas y materiales para llevar a cabo los procedimientos de mantenimiento que se describen en este manual:**

Destornillador philips

Llave de 10 mm

Punta hexagonal de 6 mm

Llave de tuercas de ¼ pulg.

Paños para limpieza

Aspiradora de absorción de partículas de alta eficiencia (HEPA, por sus siglas en inglés) con boquilla de cepillo suave y boquilla estrecha.

### Herramientas y materiales recomendados

Taladro inalámbrico, cuchilla pequeña, pinzas de quijada pequeña, solución de limpieza para la bobina, solución de limpieza de carcasa rotomoldeada.

## Antes de cada utilización

**Revise si el cable eléctrico está dañado.** Busque quemaduras, cortaduras, etc. Reemplace el cable si está dañado.

**Revise el filtro.** El filtro del PHD 200 debe reemplazarse cuando la acumulación de polvo sea visible.

## Cada mes

**Revise y limpie las bobinas y las superficies internas.** Con el uso normal, el polvo puede acumularse y puede restringir el flujo del aire, lo cual reduce el rendimiento y ocasiona que la unidad se sobrecaliente. Limpie cuando la acumulación de polvo sea visible. Quite las parrillas y la cubierta según se muestra en la Imagen B. Utilice una aspiradora con un cepillo y un paño suave para eliminar cualquier residuo. Tenga cuidado de no dañar los componentes internos.

**Para mantener una buena apariencia**, limpie las superficies interiores y exteriores con un paño húmedo. Para una limpieza profunda y un brillo duradero y protector, utilice un limpiador para interiores de automóviles.


## **Según se requiera**

**Limpie la válvula de retención y el depósito de la bomba.** Si la unidad muestra el mensaje “ER9 PUMP BLOCKED CHECK PUMP & HOSE” (ERROR 9: BOMBA BLOQUEADA; REVISAR LA BOMBA Y LA MANGUERA), es posible que sea necesario limpiar la válvula de retención y el recipiente de la bomba. Quite las parrillas y la cubierta según se muestra en la Imagen B. Retire los tornillos de la base de la bomba y saque la bomba. Limpie el depósito de la bomba con un paño húmedo. Desenrosque la boquilla estriada de la válvula de retención y enjuague la boquilla y la válvula de retención con agua limpia. Vuelva a colocar la boquilla estriada en la bomba. No apriete demasiado. Vuelva a instalar la bomba en la base. Vuelva a instalar la cubierta y las parrillas.

**Limpie las bobinas.** Con la cubierta retirada, inspeccione las dos bobinas. Si hay polvo y suciedad, limpie a fondo con una aspiradora o limpie con limpiador para bobinas.

## Mensajes del sistema

El sistema de control del PHD 200 supervisa de manera constante las condiciones de funcionamiento interno. Si el sistema detecta un problema, se producirá un mensaje de error ("ER"). Si la pantalla muestra un mensaje de error, primero intente desconectar la unidad y volver a conectarla. Esto por lo general restablecerá los componentes electrónicos y la unidad comenzará a funcionar normalmente. Si vuelve a aparecer el mensaje de error, consulte la explicación y la solución que se muestran a continuación. Si esto no soluciona el problema, comuníquese a su centro de servicio autorizado o llame al Departamento de Servicio de Dri-Eaz al 800-932-3030.

**NOTA: El mensaje "POWER FAILURE" (FALLA EN LA ENERGÍA) no es un error del sistema. Cuando aparezca este mensaje, significa que se interrumpió la energía de alimentación de la unidad y luego se restauró. Para borrar el mensaje, presione el botón  MENU SELECTION (SELECCIÓN DE MENÚS).**

MENSAJE DEL PANEL DE CONTROL	EXPLICACIÓN Y SOLUCIÓN
ER1 CONTACT SERVICE CENTER (ERROR 1: COMUNÍQUESE AL CENTRO DE SERVICIO)	Error de voltaje. Confirme que la unidad esté conectada a una fuente de alimentación de CA adecuada y que el circuito no esté sobrecargado. Si la alimentación es la correcta, es posible que sea necesario reemplazar el panel de control electrónico. Si el error persiste, póngase en contacto con el departamento de servicio.
ER2 CONTACT SERVICE CENTER (ERROR 2: COMUNÍQUESE AL CENTRO DE SERVICIO)	Error del panel de control. Es posible que sea necesario reemplazar el panel de control electrónico. Si el error persiste, póngase en contacto con el departamento de servicio.
ER3 CONTACT SERVICE CENTER (ERROR 3: COMUNÍQUESE AL CENTRO DE SERVICIO)	Unidad en descongelación por demasiado tiempo. Revise el cable del sensor de descongelación para verificar que la conexión sea la correcta. Si el error persiste, es posible que sea necesario reemplazar el ensamble del sensor. Comuníquese al departamento de servicio.
ER4 ✓ DEFROST SENSOR CONNECT (ERROR 4: ✓ CONECTOR DEL SENSOR DE DESCONGELACIÓN) – <i>mensaje alterno</i> – ER4 ✓ OUTLET SENSOR CONNECT (ERROR 4: ✓ CONECTOR DEL SENSOR DE SALIDA)	Error en el sensor. Revise el cable del sensor de descongelación para verificar que la conexión sea la correcta. Si el error persiste, es posible que sea necesario reemplazar el ensamble del sensor. Comuníquese al departamento de servicio.
ER5 ✓ SENSOR CONNECTION ON BD (ERROR 5: ✓ CONEXIÓN DEL SENSOR EN BD)	Revise que el sensor de temperatura / RH de entrada tenga la conexión adecuada. Si el error persiste, póngase en contacto con el departamento de servicio.
ER6 CONTACT SERVICE CENTER (ERROR 6: COMUNÍQUESE AL CENTRO DE SERVICIO)	Error de alto voltaje. Es posible que sea necesario reemplazar el tablero de alto voltaje. Si el error persiste, póngase en contacto con el departamento de servicio.
ER7 INVALID MODEL SETTING (ERROR 7: CONFIGURACIÓN INVÁLIDA DEL MODELO)	Es posible que la configuración del interruptor DIP de la tarjeta de control o la versión del firmware sea incorrecta. Si el error persiste, póngase en contacto con el departamento de servicio. El departamento de servicio puede pedirle que verifique la configuración del interruptor DIP.
ER8 BUTTON STUCK ✓ ALL BUTTONS (ERROR 8: BOTÓN ATORADO ✓ TODOS LOS BOTONES)	Presione cada tecla de la membrana y verifique que funcionen correctamente. Si alguna tecla no funciona, o si persiste el error, es posible que sea necesario reemplazar la membrana. Comuníquese al departamento de servicio.
ER9 PUMP BLOCKED ✓ CHECK PUMP & HOSE (ERROR 9: BOMBA BLOQUEADA ✓ REVISE LA BOMBA Y LA MANGUERA)	Revise si hay obstrucciones en la manguera de desagüe. Si está obstruida, retire la manguera de la unidad y aplique aire comprimido en su interior. Revise y limpie la válvula de retención y el depósito de la bomba. Vea "Limpieza de la válvula de retención y del depósito de la bomba" en la pág. 13.

## SOLUCIÓN DE PROBLEMAS

FALLA	CAUSA	SOLUCIÓN
Gotea agua cuando se mueve la unidad	Se desconectó la unidad antes de terminar de purgar.	Purgue la unidad antes de moverla. Vea "Al final de la operación" en la pág. 11.
La unidad no funciona	La unidad no está encendida. No hay alimentación a la máquina.	Encienda la unidad. Conecte la unidad, revise la conexión del cable de alimentación en el tomacorriente de la pared y en la base de la unidad.
La unidad funciona, pero la habitación no se seca	El tiempo no es suficiente para el secado. Poco movimiento del aire en la habitación. Infiltración excesiva de aire húmedo.	Permita más tiempo para el secado. Aumente el movimiento del aire con ventiladores. Selle el área para reducir la infiltración.
La unidad recoge muy poca agua	El aire ambiente está seco. La temperatura ambiente es demasiado baja. El filtro está obstruido. Las bobinas están obstruidas.	Confirme el nivel de humedad con un higrómetro. Aumente la temperatura de la habitación. Revise el filtro. Limpie o reemplace según sea necesario. Revise las bobinas. Límpielas en caso de ser necesario.
<p><i>Si el problema que experimenta no está en esta lista, llame a su distribuidor local a la línea sin costo de nuestro departamento de servicio al 800-932-3030 para obtener más ayuda.</i></p>		

### ESPECIFICACIONES

Nombre	Deshumidificador PHD 200 Modelo F515
Dimensiones (ancho x alto x fondo)	12.5 x 17.6 x 21.5 cm 31.8 x 44.7 x 130.8 cm
Peso (c/cable y manguera)	65 libras.   29.5 kg
Amperios	6.2 amperios a 80° F / 60% de RH
Energía	115V / 60 Hz
Movimiento del aire	180 CFM   5.4 CMM
Eliminación del agua	74 pts/día   35 L/día a 80° F / 60% RH (AHAM) 120 pts/día   56.8 L/día a 90° F / 90% RH
Rango de temperatura de operación	45–100° F   7–38° C
<i>Las especificaciones están sujetas a cambios sin previo aviso. Algunos valores pueden ser aproximados.</i>	

### PIEZAS INCLUIDAS

Manguera de desagüe de 20 pies (6 m) con conexión de acoplamiento rápido.  
Cable de alimentación extraíble de 6 pies (1.8 m).  
1 filtro de aire malla desechable (F527)

### Opcional

Juego de montaje para vigas (Orden F526)  
Duct Attachment Kit (F530)

Hay **INFORMACIÓN ADICIONAL DEL PRODUCTO** y documentos actualizados disponibles en [www.EnvironmentsHQ.com](http://www.EnvironmentsHQ.com).

**PARA PEDIR INFORMACIÓN SOBRE PIEZAS Y SERVICIO, LLAME A SU DISTRIBUIDOR LOCAL** o a Dri-Eaz al 800-932-3030.

Visite el sitio [warranty.DriEaz.com](http://warranty.DriEaz.com) y registre su compra para garantizar que reciba información sobre los lanzamientos de productos importantes.

## **Manuel du propriétaire Déshumidificateur PHD 200**

Modèle F515

DRI-EAZ PRODUCTS, INC.

15180 Josh Wilson Road, Burlington, WA 98233

Téléphone : 800-932-3030 Fax : 360-757-7950 [www.EnvironmentsHQ.com](http://www.EnvironmentsHQ.com)

Le déshumidificateur Dri-Eaz® PHD 200 réduit l'humidité dans des environnements clos en éliminant la vapeur d'eau de l'air. Le déshumidificateur le PHD 200 est idéal pour vide sanitaire séchage, contrôle de l'humidité et d'autres applications nécessitant déshumidification haute performance. (Non destiné à des professionnels des dégâts d'eau restauration.)

Brevets : <http://www.LBpatents.com>

### **LIRE ET CONSERVER CES INSTRUCTIONS**

#### **AVERTISSEMENT**

Bien lire et comprendre le manuel avant l'utilisation.



**AVERTISSEMENT! Ne jamais altérer ou modifier d'aucune façon votre PHD 200. Utilisez uniquement des pièces de rechange autorisées par Dri-Eaz. Les modifications ou l'utilisation de pièces non approuvées pourraient créer un danger et annulera votre garantie. Pour obtenir de l'assistance, contactez votre distributeur Dri-Eaz agréé.**

**AVERTISSEMENT! Risque de choc électrique, pales de ventilateur en rotation, surface chaude. Débrancher l'appareil avant d'ouvrir le couvercle pour le nettoyage ou l'entretien.**

**AVERTISSEMENT! L'unité doit être mise à la terre.**

- Garder le moteur et le câblage sec. Garder hors de l'eau stagnante et ne pas installer dans une zone susceptible à l'intrusion d'eau. Ne pas exposer à la pluie, l'eau ou la neige.
- Insérer la fiche à trois broches du cordon d'alimentation dans une prise électrique appropriée mise à la terre. Ne pas utiliser un adaptateur. Ne jamais couper la troisième broche.
- Ne pas utiliser une rallonge.
- Pour réduire le risque d'incendie ou de choc électrique, ne pas utiliser cet appareil avec un dispositif de contrôle de la vitesse à semi-conducteurs.

#### **RISQUE D'INCENDIE**

- Tenir à l'écart des flammes nues et des sources de chaleur.

- Ne pas entreposer et ne pas utiliser d'essence ni d'autres vapeurs, solvants, diluants ou autres matériaux inflammables près de cet appareil.

**AVERTISSEMENT! Débrancher l'appareil avant le nettoyage ou l'entretien.**

- Éteindre l'appareil et le débrancher avant de le soulever ou de le déplacer.
- Manipuler l'appareil avec précaution. Faire toujours fonctionner l'appareil sur une surface plane et stable. Ne pas laisser tomber l'appareil et ne pas le placer où il pourrait tomber. Un mauvais traitement peut endommager l'appareil et créer une condition dangereuse ou annuler la garantie.
- Inspecter le cordon d'alimentation avant l'utilisation. Si le cordon est endommagé, ne pas l'utiliser. Toujours saisir la fiche (pas le cordon) pour débrancher.
- L'appareil doit être branché sur un circuit 115V/60 Hz protégé par un disjoncteur différentiel de fuite à la terre (DDFT).
- Ne pas tenter de réparer l'appareil. Pour les centres de service autorisés, appeler Dri-Eaz au 800-932-3030.

#### **AVANT DE COMMENCER**

##### **Enregistrement de la garantie**

Visitez [warranty.drieaz.com](http://warranty.drieaz.com) pour enregistrer votre achat. L'enregistrement nous permet de mieux vous aider à utiliser, entretenir ou réparer votre appareil et de vous contacter si nécessaire lorsque nous avons des informations de sécurité importantes concernant votre produit Dri-Eaz. Si vous constatez qu'une réparation est nécessaire, munissez-vous du modèle de votre appareil, du numéro de série et de la preuve d'achat originale avant d'appeler votre distributeur afin d'obtenir une autorisation de retour de matériel (RMA).



## INTRODUCTION

Le déshumidificateur PHD 200 réduit l'humidité dans des environnements structurels clos en éliminant la vapeur d'eau de l'air. Lorsqu'il est utilisé de façon appropriée, il peut aider à sécher les matériaux structurels humides, les matériaux d'isolation, et le contenu, et à maintenir un niveau d'humidité sain. L'utilisation du PHD 200 peut également empêcher des dommages secondaires causés par une humidité élevée.

### Comment fonctionne le PHD 200

Le réfrigérant déshumidificateur PHD 200 utilise un ventilateur pour aspirer l'air humide à l'intérieur et le condense pour le transformer en eau qui s'accumule sur un plateau et qui est automatiquement pompée à travers d'un tuyau de vidange. Le PHD 200 est pré-réglé pour maintenir automatiquement un niveau d'humidité relative de 50%. Pour modifier ce paramètre, voir «Mode Humidistat» ci-dessous. Remarque: l'unité s'éteint automatiquement en dessous de 40% d'humidité relative.

### Caractéristiques :

- Hygrostat automatique qui permet de fixer et maintenir le niveau d'humidité désiré.
- Poignées encastrées pour faciliter l'emplacement dans des espaces confinés.
- Fonctionnement silencieux et faible consommation d'énergie.

## COMMANDES ET MODE D'EMPLOI

### Placer l'appareil en position horizontale

**AVIS : Toujours stocker, transporter et utiliser l'appareil en position horizontale. Si l'appareil a été placé en position verticale, le retourner à la position horizontale et le laisser se reposer pendant au moins 30 minutes avant de l'allumer.**

### Positionnement du déshumidificateur

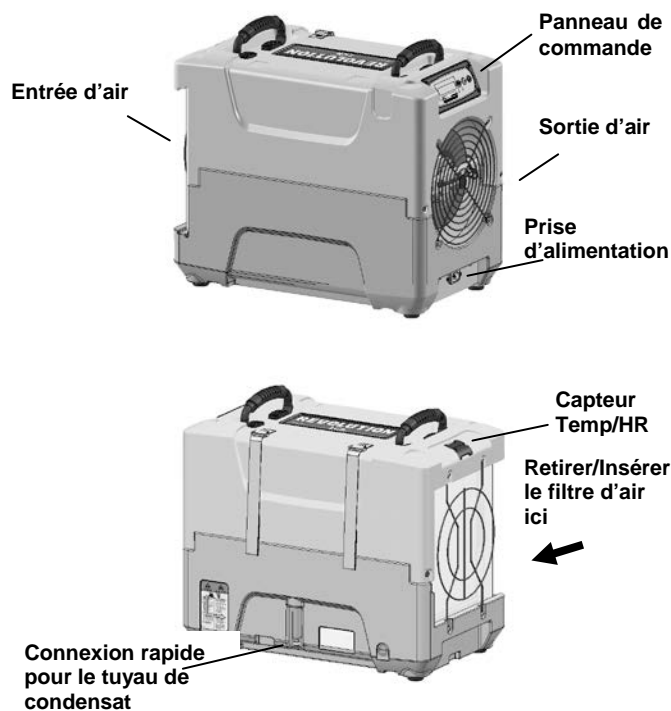
Pour de meilleurs résultats, placer le déshumidificateur dans un espace clos. Placez votre déshumidificateur à l'écart de toute obstruction et de tout ce qui pourrait bloquer la circulation d'air d'entrée et de sortie de l'appareil. Pour plus d'informations sur la création d'un environnement de séchage optimal, contacter Dri-Eaz au 800-932-3030.

**CONSEIL :** avant d'installer l'appareil dans un vide sanitaire ou autre endroit difficile à accéder brancher l'appareil et le mettre en marche pendant environ une demi-heure pour assurer le bon fonctionnement.

### Mettre en place le tuyau de vidange

La pompe à condensat du PHD 200 se connecte à un tuyau de vidange en matière plastique de 20 pieds (6 m) équipé d'un raccord rapide pour une connexion rapide au tuyau de vidange de l'appareil. Pour mettre en place

Fig. A : Identification des pièces



le tuyau, débaler l'ensemble du tuyau et placez l'extrémité libre dans un évier, un drain, un seau ou à l'extérieur - partout où l'eau peut s'écouler en toute sécurité. Connecter l'autre extrémité du tuyau au PHD 200. Si vous utilisez un seau ou un autre récipient pour la collecte de l'eau, le vérifier régulièrement pour éviter les débordements.

**AVIS :** Dérouler et redresser le tuyau de vidange. Ne laisser aucune partie du tuyau enroulée et ne pas placer l'extrémité du tuyau supérieur à plus de 3 pieds (1 mètres) au-dessus du fond de l'appareil. Vérifier également s'il existe des plis ou autres obstacles susceptibles de limiter le débit d'eau. Les obstructions peuvent causer des débordements.


### Brancher le cordon électrique

Le PHD 200 doit être branché dans une prise de 115 volts protégée par DDFT évaluée au moins à 15 ampères. Toujours brancher le cordon fermement d'abord dans l'appareil unité, puis brancher l'autre extrémité dans une prise de courant appropriée.

### Écran de démarrage et modes d'affichage normaux

Lorsque l'appareil est branché à une prise secteur, l'affichage du panneau de commande affichera brièvement une série d'affichages. Cela fait partie de la procédure d'autodiagnostic de l'appareil et aucune intervention de l'utilisateur n'est requise.

### Allumer l'appareil



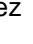
Le panneau de commande sur le déshumidificateur PHD 200 dispose d'un écran et d'un pavé tactile à quatre touches. Appuyer sur le bouton  ON/OFF (Marche/Arrêt) pour allumer l'appareil. L'appareil

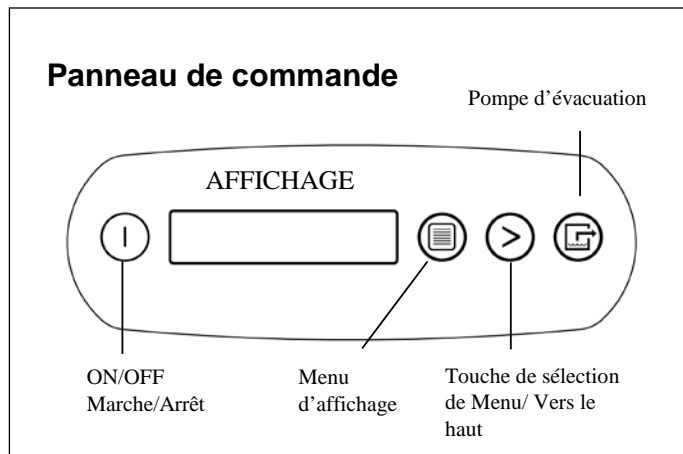
commencera à effectuer un compte à rebours pour le démarrage différé du compresseur (jusqu'à soixante secondes) et le processus d'autodiagnostic. Une fois le compte à rebours pour le démarrage différé du compresseur et le processus d'autodiagnostic terminés, l'écran passe en **mode d'affichage normal**.

**UNIT ON 00 HRS**  
**INLET 00°F / INLET 00%**

La **première ligne** de l'écran affiche le nombre total d'heures de fonctionnement de l'appareil. Cette valeur peut être remise à zéro pour faire le suivi des heures de travail (voir «Remise à zéro des heures de travail » ci-dessous). La **deuxième ligne** de l'affichage alterne entre la température de l'air d'entrée et l'humidité de l'air d'entrée.

### Menu des paramètres utilisateur

L'utilisateur peut modifier certains paramètres d'affichage ainsi que les Informations système. Ces éléments sont accessibles en appuyant sur  DISPLAY MENU. Chaque pression sur la touche affiche le paramètre suivant. Lorsque vous atteignez le paramètre que vous souhaitez régler, appuyez sur  MENU SELECTION pour augmenter la valeur. Appuyez  DIS-



ON/OFF (Marche/Arrêt)

Appuyer brièvement pour allumer/éteindre l'appareil.

Menu d'affichage

Appuyer pour passer à l'élément suivant du menu. Élément du menu s'affiche à l'écran.

Touche de sélection de menu / Vers le haut

Appuyer pour basculer ou sélectionner des valeurs dans le menu affiché.

Pompe d'évacuation

Appuyer et relâcher pour commencer l'évacuation. L'affichage affiche les secondes restantes avant que l'évacuation soit terminée.

PLAY MENU de nouveau pour valider le réglage et redémarrer le cycle. Si aucune touche n'est sélectionnée pendant 5 minutes, l'écran se réinitialise et retourne au mode d'affichage normal.


Veillez noter que seuls les éléments de menu suivis du symbole supérieur à (>) peuvent être réglés.


Tous les paramètres et les modes sont décrits en détail dans le Guide Panneau de commande, ci-dessous.


### Messages d'erreur


Si le système de diagnostics embarqué du PHD 200 découvre un problème, l'appareil affiche un message d'erreur. Voir « Messages système », à la page 7 pour une explication de chaque message.

### Guide du Panneau de commande




 **ON/OFF.** Appuyer pour allumer ou éteindre l'appareil. Lorsque l'appareil est allumé, l'écran affiche normalement « PLEASE WAIT COMP. DELAY » (Veillez attendre la fin du compte à rebours) et effectue un compte à rebours pour un maximum de 60 secondes à 0. Ce délai permet aux pressions du réfrigérant à s'égaliser pour faciliter le démarrage. Une fois que le délai de démarrage du compresseur est terminé, l'écran affiche UNIT ON XX HRS (Appareil a fonctionné pendant XX heures) et alterne entre INLET XX °F et INLET XX% (température de l'air d'entrée et l'humidité de l'air d'entrée). REMARQUE : Si aucun compte à rebours pour le compresseur n'est affiché, un délai n'est pas nécessaire et l'appareil commencera à fonctionner immédiatement.

 **MENU D'AFFICHAGE.** Appuyer pour faire défiler l'affichage pour des conditions de déshumidification supplémentaires et les paramètres de l'utilisateur. Pour revenir au menu principal, appuyer sur la touche ON/OFF une fois.

 **SÉLECTION DE MENU.** Appuyer pour modifier les valeurs des paramètres « définis par l'utilisateur ». La touche SÉLECTION DE MENU agit comme la touche UP (ver le haut) pour régler le point de consigne pour le fonctionnement en mode Hygrostat. Voir Menu des paramètres utilisateur (ci-dessous) pour plus de détails.

 **PURGE.** Appuyer pour évacuer l'eau du réservoir de la pompe à condensat. L'affichage indique PUMP PURGING (Évacuation) avec un compte à rebours numérique. REMARQUE : En fonctionnement normal, la pompe évacue l'eau automatiquement toutes les 20 minutes, ou lorsque le réservoir est plein.

### Modification des paramètres et affichage des informations du système

Les paramètres d'affichage et les informations système sont accessibles en appuyant sur  DISPLAY MENU. Chaque pression de la touche affiche le paramètre suivant (voir liste ci-dessous). Lorsque vous atteignez le paramètre que vous souhaitez régler, appuyez sur  MENU SELECTION pour augmenter la valeur. Appuyez de nouveau sur  DISPLAY MENU pour valider le réglage et redémarrer le cycle d'affichage. Si aucune touche n'est sélectionnée pendant 5 minutes, l'écran se réinitialise automatiquement et retourne au mode d'affichage normal.

Veillez noter que seuls les éléments de menu suivis du symbole supérieur à (>) peuvent être réglés.

**JOB HOURS  
RESET? >**

Appuyer sur **>** MENU SELECTION pour réinitialiser heures à zéro. REMARQUE : En mode Hygrostat, l'appareil affiche HUMIDISTAT sur la première ligne pendant le fonctionnement normal plutôt que JOB HOURS.

**LIFE HOURS  
00 HRS**

Affiche le total des heures de fonctionnement de l'appareil. Cette valeur ne peut pas être modifiée.

**INLET      OUTLET  
00° 00%    00° 00%**

Affiche la température et l'humidité actuelles de l'air d'entrée et de sortie.

## Fonctionnement normal

Le PHD 200 est pré-réglé pour fonctionner en mode Humidistat à un niveau HR de 50%. Pour modifier ce paramètre, voir les instructions ci-dessous. Remarque: l'unité s'éteint automatiquement en dessous de 40% d'humidité relative.

## Mode Humidistat

**HUMIDISTAT MODE  
ON/OFF >**

En mode ON, l'appareil maintiendra l'humidité de consigne (voir ci-dessous). Appuyer sur **>** MENU SELECTION pour basculer entre ON et OFF. REMARQUE : En mode Humidistat, l'appareil affiche HUMIDISTAT sur la première ligne durant le fonctionnement normal plutôt que JOB HOURS.

**HUMIDISTAT  
SETPOINT 00% >**

Fixe le niveau d'humidité lorsque l'appareil est en mode Humidistat. Appuyer sur **>** MENU SELECTION pour changer la valeur HR (humidité relative). Chaque pression sur la touche augmente la valeur par incréments de 5%, allant jusqu'à 90% HR et recommence de nouveau à 40% HR.

**TEMP UNITS  
F° >**

Affiche l'échelle de température actuelle. Appuyer sur **>** MENU SELECTION pour sélectionner Fahrenheit ou Celsius.

**LANGUAGE  
ENGLISH >**

Affiche la langue actuelle du panneau d'affichage. Appuyer **>** sur MENU SELECTION pour sélectionner l'espagnol, l'allemand, le français ou l'anglais.

**COIL TEMP  
00°F**

Affiche la température de la bobine froide (évaporateur)

**SENSOR ID >  
0000000**

Cette fonction n'est pas utilisée sur le PHD 200.

**COMPRSSR CURRENT  
0.0 A**

Affiche la consommation de courant en ampères du compresseur.

## À LA FIN DU TRAVAIL

Pour réduire les risques de coulées d'eau lors du déplacement de l'appareil, suivez ces étapes supplémentaires pour s'assurer que toute l'eau a été retirée de l'appareil.

**AVIS :** Afin d'assurer que le réservoir de condensat se vide complètement pendant l'évacuation, assurez-vous que l'appareil est placé horizontalement sur une surface plane.

1. Si l'appareil est dans un cycle de dégivrage, attendre que l'appareil retourne au mode de fonctionnement normal avant de procéder. Pour vérifier, examiner le panneau de commande. Le panneau de commande affichera une des opérations suivantes :

*Dégivrage en cours :*

**UNIT ON 00 HRS  
DEFROST XX**

Mode d'affichage lorsque l'appareil est en mode de dégivrage. XX indique les minutes restantes du cycle de dégivrage.

*Séquence d'arrêt*


**WAIT FOR  
DEFROST XX**

Mode d'affichage lorsque l'appareil est en mode de dégivrage et est éteint par l'utilisateur. L'appareil complète le cycle de dégivrage pour supprimer la glace accumulée, puis active la pompe d'évacuation. XX indique les minutes restantes du cycle de dégivrage.

*Affichage normal :*

**UNIT ON 00 HRS  
INLET XX° F**

Attendre jusqu'à ce que l'écran affiche l'affichage normal avant de procéder.

2. Secouer doucement la machine afin d'assurer que toute l'eau restante sur les surfaces intérieures tombe dans le réservoir.
3. Appuyer sur la touche  PURGE. Lorsque le cycle de d'évacuation est terminé, éteindre l'appareil.
4. Retirer le tuyau de vidange externe et l'égoutter soigneusement avant de le ranger.
5. Débrancher le cordon d'alimentation de la prise secteur et de la base de la machine.

## TRANSPORT ET STOCKAGE

**AVIS :** Manipuler l'appareil avec précaution. Ne pas faire tomber ou placer l'appareil dans un endroit où il pourrait tomber. Un mauvais traitement peut endommager l'appareil et créer une situation dangereuse ou annuler la garantie.

- Ne pas exposer le panneau de commande à l'humidité, à la neige ou à la pluie.
- Protéger contre le gel.
- Transporter et stocker en toute sécurité afin d'éviter tout impact qui pourrait endommager les parties internes.
- Sécuriser durant le transport afin d'éviter que l'appareil ne glisse et blesse les occupants du véhicule.

## PROGRAMME D'ENTRETIEN

**AVERTISSEMENT! RISQUE DE CHOC ÉLECTRIQUE.** Débrancher l'appareil avant le nettoyage ou l'entretien.

**AVERTISSEMENT! Risque de poussière et d'exposition à des contaminants.** L'utilisation d'un masque respiratoire et de gants de protection est recommandée. Si l'appareil a été exposé à des contaminants potentiellement dangereux, bien le nettoyer et le désinfecter avant de le réutiliser.

**AVIS :** L'appareil est équipé de capteurs électroniques sensibles. Protéger les capteurs et leurs fils conducteurs de dommages et ne pas les exposer à l'eau ou à une solution de nettoyage.

**Les outils et les fournitures suivantes sont nécessaires pour l'entretien tel que décrit dans ce manuel :**

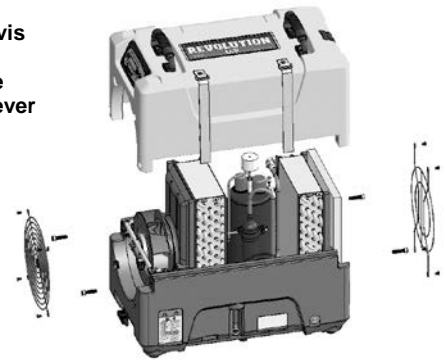
Tournevis Philips  
Clé de 10 mm  
Mèche hexagonale de 6 mm  
Tourne-écrou ¼ po  
Chiffons de nettoyage  
Aspirateur muni d'un filtre HEPA avec brosse douce et buse plate.

### Recommandé

Perceuse sans fil, petit couteau, pince à petite mâchoire, solution de nettoyage de la bobine, solution de nettoyage pour boîtier rotomoulé.

## Fig. B : Démontage en vue du nettoyage

Retirer les 4 vis du boîtier et les deux vis du haut de chaque grille d'entrée et de sortie d'air et soulever le couvercle.



## Avant chaque utilisation

**Inspecter le cordon électrique pour dommages.**

Vérifier le cordon pour des coupes, effilochages ou autres dommages. Remplacer le cordon s'il est endommagé.

**Inspecter le filtre.** Le filtre du PHD 200 doit être remplacé lorsque l'accumulation de poussière est visible.

## Entretien mensuel

**Inspecter les bobines.** Nettoyer lorsque l'accumulation de poussière est visible. En fonctionnement normal, la poussière peut s'accumuler et restreindre le débit d'air, réduisant ainsi le rendement et provoquant une surchauffe de l'appareil. Utiliser un aspirateur muni d'une brosse et un chiffon doux pour enlever les débris. Prendre soin de ne pas endommager les composants internes.


**Pour maintenir l'apparence,** essuyer les surfaces intérieures et extérieures avec un chiffon humide. Pour un nettoyage en profondeur, un éclat et une protection durable, utiliser un nettoyant intérieur d'automobile.

## Au besoin

**Nettoyer le clapet anti-retour de la pompe et le réservoir.** Si l'appareil affiche le message « ER9 PUMP BLOCKED CHECK PUMP & HOSE » (ER9 pompe bloquée, vérifier la pompe et le tuyau), le clapet anti-retour et le réservoir de la pompe peuvent avoir besoin d'être nettoyés. Retirer les grilles et le couvercle comme indiqué sur la figure B. Retirer les vis de la base de la pompe et retirer la pompe. Essuyer le bassin de la pompe avec un chiffon humide. Dévisser le raccord cannelé et le clapet anti-retour et rincer le raccord et le clapet avec de l'eau propre. Réinstaller le raccord cannelé dans la pompe. Ne pas trop serrer. Réinstaller la pompe sur la base. Réinstaller le couvercle et les grilles. Nettoyer les bobines. Avec le couvercle retiré, inspecter les deux bobines. Si vous trouvez de la poussière excessive et des débris, aspirez minutieusement et/ou nettoyez avec un nettoyant de bobine.

## Les messages système

Le système de contrôle du PHD 200 surveille en permanence les conditions de fonctionnement interne. Si le système détecte un problème, il créera un message d'erreur (« ER »). Si l'écran affiche un message « ER », débrancher l'appareil, puis le rebrancher. Cette opération généralement a pour but de réinitialiser l'électronique, et l'appareil commencera à fonctionner normalement. Si l'erreur persiste, consulter le tableau d'explication des erreurs et la solution ci-dessous. Si vous n'avez pas réussi à résoudre le problème, contactez votre centre de service agréé ou appeler le service Dri-Eaz au 800-932-3030.

**REMARQUE : Le message « POWER FAILURE » (Panne de courant) n'est pas une erreur système. Lorsque ce message est affiché, cela signifie que l'alimentation secteur à l'appareil a été interrompue puis rétablie. Pour effacer le message, appuyez sur la touche  MENU SELECTION.**

MESSAGE DU PANNEAU DE COMMANDE	EXPLICATION ET SOLUTION
ER1 CONTACT SERVICE CENTER	Erreur de tension d'alimentation. S'assurer que l'appareil est branché à une prise électrique CA appropriée et que le circuit ne soit pas surchargé. Si l'alimentation est correcte, il se peut que le panneau de commande électronique doive être remplacé. Si l'erreur persiste, contacter le centre de service.
ER2 CONTACT SERVICE CENTER	Erreur du panneau de commande. il se peut que le panneau de commande électronique doive être remplacé. Si l'erreur persiste, contacter le centre de service.
ER3 CONTACT SERVICE CENTER	L'appareil est en mode de dégivrage pour trop longtemps. Vérifier que le câble du capteur est bien connecté. Si l'erreur persiste, il se peut que l'ensemble du capteur doive être remplacé, contacter le centre de service.
ER4 ✓ DEFROST SENSOR CONNECT – autre message – ER4 ✓ OUTLET SENSOR CONNECT	Erreur du capteur. Vérifier que le câble du capteur est bien connecté. Si l'erreur persiste, il se peut que l'ensemble du capteur doive être remplacé, contacter le centre de service.
ER5 ✓ SENSOR CONNECTION ON BD	Vérifier que le capteur de Temp/HR d'entrée est bien connecté. Si l'erreur persiste, contacter le centre de service.
ER6 CONTACT SERVICE CENTER	Erreur de haute tension. Il se peut que la carte à haute tension doive être remplacée. Si l'erreur persiste, contacter le centre de service.
ER7 INVALID MODEL SETTING	Les paramètres du commutateur DIP du panneau de commande ou la version du micrologiciel peuvent être incorrects. Si l'erreur persiste, contacter le centre de service. Le centre de service peut vous demander de vérifier les paramètres du commutateur DIP
ER8 BUTTON STUCK ✓ ALL BUTTONS	Appuyer sur chaque touche afin de vérifier le bon fonctionnement. Si une touche ne fonctionne pas, ou si l'erreur persiste, il se peut que la membrane qui recouvre la touche doive être remplacée. Contacter le centre de service.
ER9 PUMP BLOCKED ✓ CHECK PUMP & HOSE	Vérifier si le tuyau de vidange a des obstructions. S'il est obstrué, retirer le tuyau de l'appareil et souffler de l'air comprimé à travers. Inspecter et nettoyer le clapet anti-retour de la pompe et le réservoir. Voir « Nettoyer le clapet anti-retour de la pompe et le réservoir », à la page 20.

## DÉPANNAGE

D É F A U L T	C A U S E	S O L U T I O N
L'eau s'égoutte lors du déplacement de l'appareil	L'appareil a été débranché avant que l'évacuation soit terminée.	Évacuer toute l'eau de l'appareil avant de le déplacer. Voir « À LA FIN DU TRAVAIL » à la page 19.
L'appareil ne fonctionne pas	L'appareil n'est pas allumé. Pas d'alimentation à l'appareil.	Allumer l'appareil. Brancher l'appareil : vérifier la connexion du cordon d'alimentation à la prise murale et sur la base de l'appareil.
L'appareil fonctionne mais la salle n'est pas sèche	Pas assez de temps pour le séchage. Faible mouvement d'air dans la salle. Infiltration excessive d'air humide.	Prévoir plus de temps pour le séchage. Améliorer la circulation de l'air avec des dispositifs de ventilation. Sceller la zone pour réduire l'infiltration.
L'appareil recueille trop peu d'eau	L'air ambiant est sec. La température ambiante est trop basse. Le filtre est bouché. Les bobines sont bouchées.	Vérifier le niveau d'humidité avec un hygromètre. Augmenter la température ambiante. Vérifier le filtre. Le nettoyer ou le remplacer si nécessaire. Vérifier bobines. Les nettoyer si nécessaire.
<p><i>Si le problème que vous rencontrez ne figure pas dans ce tableau, veuillez contacter votre distributeur local ou notre centre de service au 800-932-3030 pour obtenir de l'aide.</i></p>		

## SPÉCIFICATIONS

Nom	Déshumidificateur PHD 200 Modèle F515
Dimensions (L x H x P)	12,5 x 17,6 x 21,5 po 31,8 x 44,7 x 130,8 cm
Poids (avec cordon et tuyau)	65 lb.   29,5 kg
Ampères	6,2 ampères à 80°F/60% HR
Alimentation	115V / 60Hz
Mouvement de l'air	180 CFM   5,4 CMM
Évacuation de l'eau	74 pintes/jour   35 L/jour à 80°F/60% HR (AHAM) 120 pintes/jour   58.6 L/jour à 90°F/90% HR
Gamme de température de fonctionnement	45 à 100°F   7 à 38°C
<p><i>Ces spécifications sont sujettes à modification sans préavis. Certaines valeurs peuvent être approximatives</i></p>	

## PIÈCES INCLUSES

Tuyau de vidange 20 pieds (6 m) avec raccord à connexion rapide.  
Cordon d'alimentation détachable 6 pieds (1,8 m).  
1 filtre maille à air jetable (F527)

## EN OPTION

Kit de montage pour solives (F526)  
Duct Attachment Kit (F530)

**DES INFORMATIONS SUPPLÉMENTAIRES SUR LE PRODUIT** et la documentation actuelle sont disponibles sur [www.EnvironmentsHQ.com](http://www.EnvironmentsHQ.com).

## POUR DES PIÈCES DE RECHANGE ET SERVICE

appeler votre distributeur local ou Dri-Eaz au 800 932 3030.

Visiter [warranty.DriEaz.com](http://warranty.DriEaz.com) et enregistrer votre achat afin de vous assurer de recevoir tous les communiqués importants concernant votre produit.