

## **Tronic 3000T**

ES 2.5/4/8 CA...



6720801072-00.1V

- [2] Installation Manual and Operating Instructions
- [18] Manuel d'installation et notice d'utilisation

## Table of contents

<b>1</b>	<b>Explanation of symbols and safety information</b>	<b>2</b>
1.1	Key to symbols	2
1.2	Safety information	3
<b>2</b>	<b>Information about the product</b>	<b>5</b>
2.1	Models overview	5
2.2	Dimensions	6
2.3	Technical data	7
<b>3</b>	<b>Installation instructions</b>	<b>8</b>
3.1	Mounting the heater	8
3.2	Pipe connections	8
3.3	Closed system thermal expansion	9
3.4	Electrical connections	9
<b>4</b>	<b>Use</b>	<b>10</b>
4.1	Starting and testing	10
4.2	Temperature setting	10
<b>5</b>	<b>Maintenance</b>	<b>10</b>
5.1	Removing the cover	10
5.2	Draining the heater	10
5.3	Inspecting the anode rod	10
5.4	Removing the heating element	11
5.5	Descaling the heating element	11
<b>6</b>	<b>Replacement of parts</b>	<b>12</b>
6.1	Changing the anode rod	12
6.2	Changing the heating element	12
6.3	Changing the thermostat	12
<b>7</b>	<b>Troubleshooting</b>	<b>13</b>
7.1	Resetting High Limit Switch	14
<b>8</b>	<b>Bosch interior component diagram</b>	<b>15</b>
<b>9</b>	<b>Bosch Tronic 3000T LIMITED WARRANTY</b>	<b>16</b>

## 1 Explanation of symbols and safety information

### 1.1 Key to symbols

#### Warnings

In warnings, signal words at the beginning of a warning are used to indicate the type and seriousness of the ensuing risk if measures for minimising danger are not taken.

The following signal words are defined and can be used in this document:



#### **DANGER:**

**DANGER** indicates a hazardous situation which, if not avoided, will result in death or serious injury.



#### **WARNING:**

**WARNING** indicates a hazardous situation which, if not avoided, could result in death or serious injury.



#### **CAUTION:**

**CAUTION** indicates a hazardous situation which, if not avoided, could result in minor or moderate injury.

#### **NOTICE:**

**NOTICE** is used to address practices not related to personal injury.

#### Important information



The info symbol indicates important information where there is no risk to people or property.

#### Additional symbols

Symbol	Meaning
▶	a step in an action sequence
→	a reference to a related part in the document
•	a list entry
–	a list entry (second level)

Table 1

### 1.2 Safety information


**CAUTION:**

When using electrical appliances, safety precautions to reduce the risk of fire, electric shock or injury to persons should be followed, including:

- ▶ **READ ALL INSTRUCTIONS BEFORE USING THIS WATER HEATER.**
- ▶ This water heater must be grounded. Connect only to properly grounded outlet. See "GROUNDING INSTRUCTIONS" found on "INSTALLATION INSTRUCTIONS".
- ▶ Install or locate this water heater only provided installation instructions.
- ▶ Use this water heater only for its intended use as described in this manual.
- ▶ The models ES2.5 and ES4 come equipped with a power cord. Do not use an extension cord. If no outlet is available adjacent to the water heater, contact a qualified electrician to have one properly installed near the heater. The model ES8 must be hard-wired. See installation instructions.
- ▶ As with any appliance, close supervision is necessary when used by children.
- ▶ Do not operate this water heater if it is has a damaged cord or plug, if it is not working properly, or if it has been damaged or dropped.

- ▶ This water heater should be serviced only by qualified service personnel. Contact a service person for examination, repair or adjustment.
- ▶ Failure to inspect the anode rod at least once a year could cause the tank to fail and leak. This condition is not covered under the manufacturer's warranty.
- ▶ Any water heater should be installed in such a manner that if it should leak, the resulting flow of water will not cause damage to the area in which it is installed. National Plumbing codes require a drain pan for any water heater installation. Failure to install one is the sole responsibility of owner and/or installer. Reference UPC 2006 (Uniform Plumbing Code) Section 508.1, or IPC 2006 (International Plumbing Code) Section 504.7.

**NOTICE:**

- ▶ The installer should review the contents of this manual with the owner upon completion of installation, and the manual should be left with the owner and placed in a location close to the installation.

**NOTICE:**

- ▶ The manufacturer cannot be responsible for the damages caused by improper installation or by failure to follow instructions in this manual. Comply with the installation instructions before completing electric connection.

**NOTICE:**

- ▶ The thermostat has been pre-set at the factory at a temperature equal or below 60 °C (140 °F).

**⚠ DANGER:**

- ▶ Hydrogen gas can be produced in a hot water system served by this heater that has not been used for a long period of time (generally 2 weeks or more). Hydrogen gas is extremely flammable. To reduce the risk of injury under these conditions, it is recommended that the hot water faucet be opened for several minutes at the kitchen sink before using any electrical appliance connected to the hot water system. If hydrogen gas is present, there will probably be an

unusual sound such as air escaping through the pipe as the water begins to flow. There should be no smoking or open flame near the faucet at the time it is open.

**⚠ CAUTION:**

- ▶ Any water heater should be installed in such a manner that if it should leak, the resulting flow of water will not cause damage to the area in which it is installed. National Plumbing codes require a drain pan for any water heater installation. Failure to install one is the sole responsibility of owner and/or installer. Reference UPC 2006 (Uniform Plumbing Code) Section 508.1, or IPC 2006 (International Plumbing Code) Section 504.7.

**⚠ CAUTION:**

- ▶ Prior to connecting the power supply, ensure tank is full of water and system is purged of air.

**NOTICE:**

- ▶ Tank failure due to neglecting to maintain the anode rod is not covered under warranty (see Section 5 Maintenance).

## 2 Information about the product

### 2.1 Models overview

Models ES2.5 and ES4

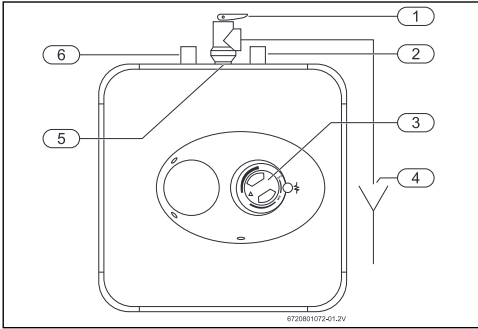


Fig. 1

- [1] Temperature & pressure relief valve, ¾ NPT male
- [2] Cold water inlet ½ NPT male
- [3] Thermostat
- [4] Temperature & pressure relief valve discharge line to drain
- [5] ¾ NPT female tapping for relief valve
- [6] Hot water outlet ½ NPT male

Models ES8 (Horizontal installation)

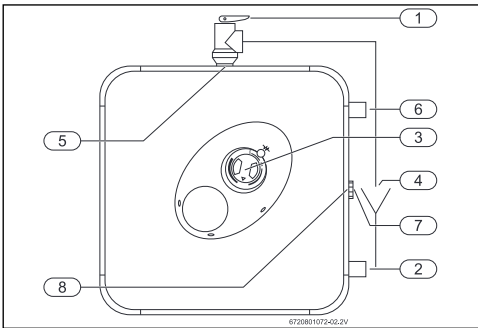


Fig. 2

- [1] Temperature & pressure relief valve, ¾ NPT male
- [2] Cold water inlet ¾ NPT male
- [3] Thermostat
- [4] Temperature & pressure relief valve discharge line to drain
- [5] ¾ NPT female tapping for relief valve
- [6] Hot water outlet ¾ NPT male
- [7] ¾ NPT male plug
- [8] ¾ NPT female tapping for tap

Models ES8 (Vertical installation)

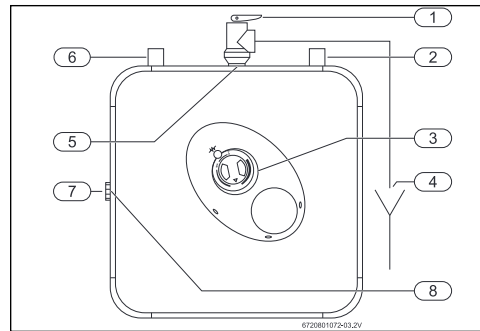


Fig. 3

- [1] Temperature & pressure relief valve, ¾ NPT male
- [2] Cold water inlet ½ NPT male
- [3] Thermostat
- [4] Temperature & pressure relief valve discharge line to drain
- [5] ¾ NPT female tapping for relief valve
- [6] Hot water outlet ½ NPT male
- [7] Hot water outlet ½ NPT male
- [8] Hot water outlet ½ NPT male

## 2.2 Dimensions

### Models ES2.5 and ES4 (Vertical installation only)

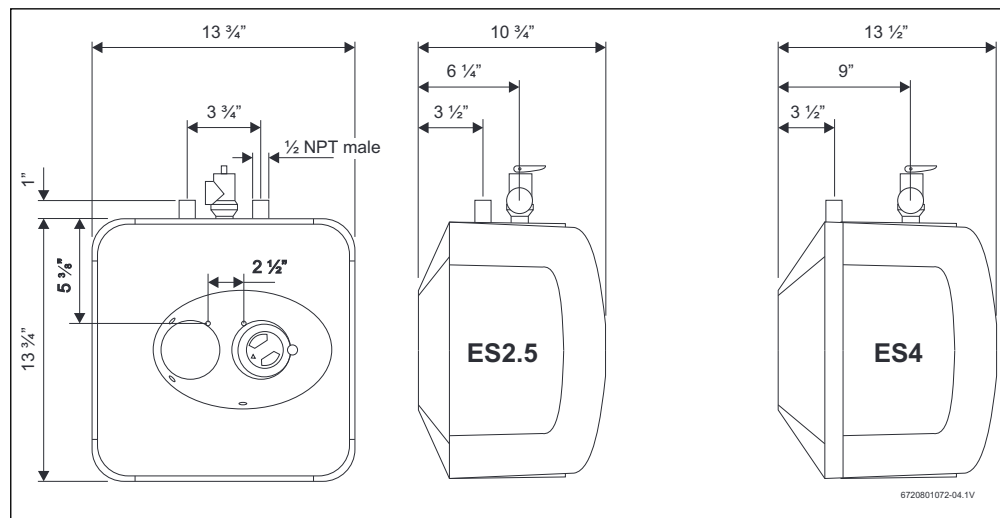


Fig. 4

### Models ES8 (Horizontal installation only)

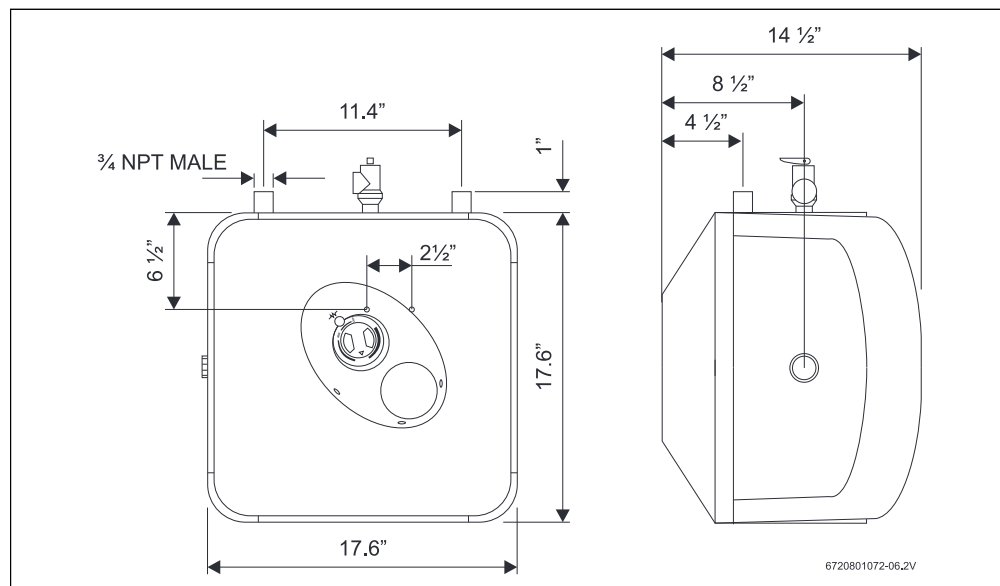


Fig. 5

**Models ES8 (Vertical installation only)**

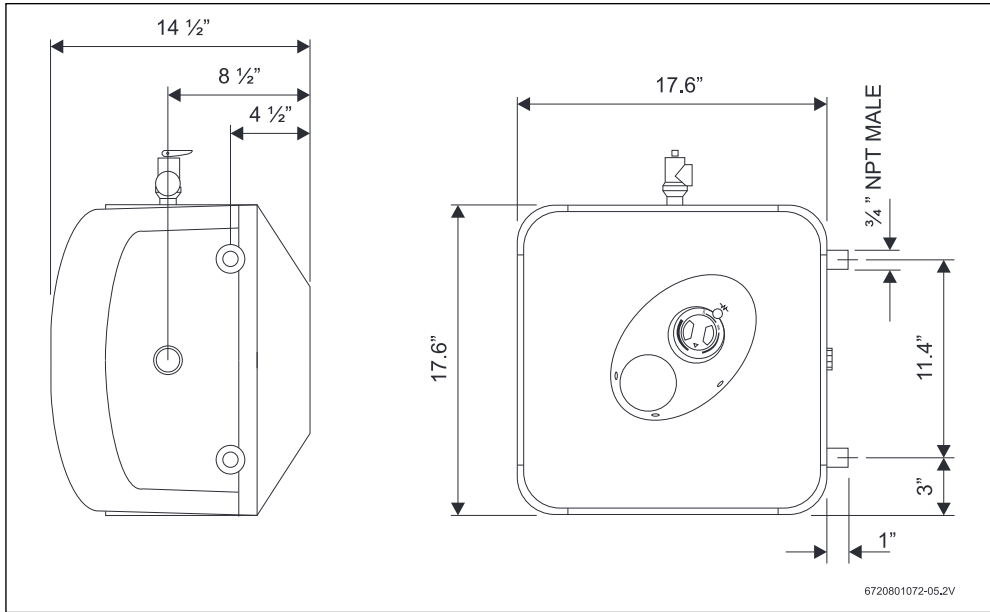


Fig. 6

**2.3 Technical data**

Technical data	Units	ES 2.5	ES 4	ES 8
Capacity	gallons	2.7	4.0	7.0 (Hor.) / 5.1 (Vert.)
Voltage	VAC	110/120 for each model		
Power at 120 VAC	Watts	1440		
Maximum water pressure	psi	150		
Weight (empty)	Lbs	15.5	17.3	29.5
Amperage	Amps	12.0 for each model		
Phases		1		
Temperature range	°F	65 - 145		
Recovery rate	gallons/hour	6.8		

Table 2