

Owner's Manual DriForce[®] XL Airmover

LEGEND BRANDS, INC.

15180 Josh Wilson Road, Burlington, WA 98233

Phone: 800-932-3030 Fax: 360-757-7950 LegendBrandsRestoration.com

Patents: LBpatents.com

READ AND UNDERSTAND BEFORE OPERATING

WARNING



WARNING! To reduce the risk of fire or electric shock, do not use this product with any solid-state speed control device.

WARNING! Unit must be electrically grounded. Connect only to an outlet provided with a Ground Fault Circuit Interrupting device. Do not use with an adaptor. Never cut off third prong. Do not use with an extension cord.

WARNING! Hot surfaces. Do not touch blower, control box, or air outlet when unit is operating.

WARNING! Hot exhaust air. Avoid contact.

WARNING! Do not allow children to play with or around the unit. Be sure the unit is inaccessible to children when not attended.

WARNING!

a) Do not operate with a damaged cord or plug. Discard product or return to an authorized service facility for examination and/or repair.

b) Do not run cord under carpeting. Do not cover cord with throw rugs, runners, or similar coverings. Do not route cord under furniture or appliances. Arrange cord away from traffic area and where it will not be tripped over.



WARNING: This product and other substances that may become airborne from its use contain chemicals, including lead and phthalates, known to the State of California to cause cancer, birth defects, or other reproductive harm. For more information, go to P65Warnings.ca.gov

NOTICE: Do not alter or modify your Dri-Eaz product in any way. Use only replacement parts authorized by Legend Brands, Inc. Modifications or use of unapproved parts could create a hazard and will void your warranty. Contact your authorized Legend Brands distributor for assistance.

NOTICE: Keep motor and wiring dry. For indoor use only. Do not expose to rain, water or snow.

NOTICE: Unplug when not in use or moving unit.

NOTICE: Always operate the unit on a stable, level surface so it cannot fall and cause injury.

BEFORE YOU BEGIN

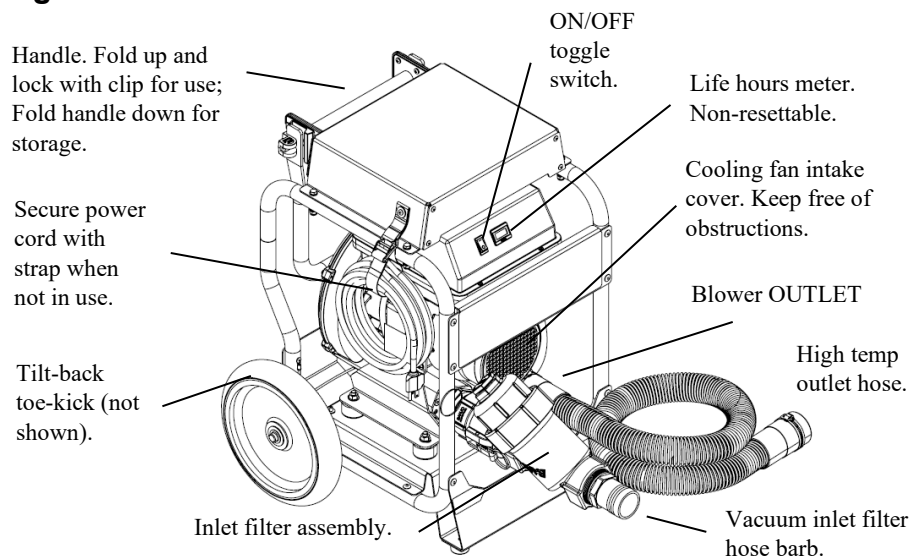
Warranty registration

Please visit Warranty.LegendBrandsRestoration.com to register your purchase. If you determine service is required, have your equipment model, serial number and original proof of purchase available and call your distributor to obtain a return material authorization.

OPERATING INSTRUCTIONS

WARNING: Unit exhausts hot air that can pose a burn or fire risk. Avoid contact and keep away

Fig. A: DriForce XL Airmover



from materials and finishes that may be damaged by high temperatures.

NOTICE: Do NOT use the DriForce XL to extract standing water of any kind. Liquid water drawn in to the DriForce XL may damage the blower and void the DriForce XL warranty. Extract excess water with a truckmount or portable extraction equipment before attempting to dry.

The DriForce XL can be used in two ways. 1) As a blower, to create high-pressure air (Pressure Mode), and 2) as a vacuum blower, to create suction (Suction Mode). The DriForce XL is intended for use with the Dri-Eaz Air Drying System (ADS) and the Dri-Eaz Rescue Mat System.

For use with the Air Drying System (ADS), see the ADS Owner's Manual or visit ADS.LegendBrandsRestoration.com

For use with the Rescue Mat System, see the Rescue Mat System Owner's Manual or visit RescueMatSystem.LegendBrandsRestoration.com

Setup

Move unit into position.

IMPORTANT: Lift unit only by frame. Handle should only be used for pulling/pushing units around and up/down stairs.

Connect the inlet filter assembly (Fig. A). Secure in position with cam levers.

Plug in unit to a grounded 115V outlet.

For use in Suction Mode, attach either the ADS System or the Rescue Mat System to filter hose barb. The high temp pressure hose is not used in this mode and may be removed.

IMPORTANT: The DriForce XL and Rescue Mat System should only be used to remove moisture from wood plank floors. Do not use on non-porous surfaces.

IMPORTANT: To avoid overheating, do not block air inlet or outlet. Ensure that air flows freely at all times during operation.

For use in Pressure Mode, attach the black high temp pressure outlet hose to the Blower OUTLET and clamp firmly. Attach either the ADS System or the Rescue Mat System to the high temp hose.

NOTICE: Use only the black high temp hose on the Blower OUTLET, which produces high heat and may damage other types of hoses, including the hoses supplied with the ADS System or the Rescue Mat System.

Fig. C: Stacking

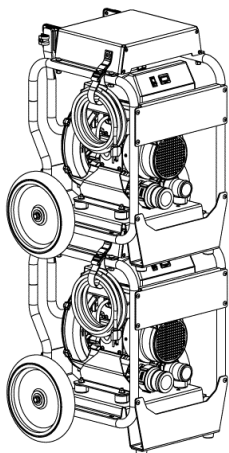
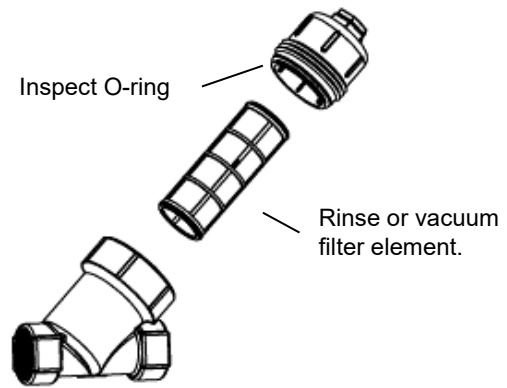


Fig. B: Cleaning Air Intake Filter



Disassemble as shown and rinse or vacuum internal filter element. Reassemble, making sure O-ring is intact and properly seated on cap. Do not overtighten.

Stack units up to two high for storage. See Fig. C.

MAINTENANCE

WARNING: Always unplug unit prior to servicing or cleaning.

WARNING: Metal surfaces may become hot during operation. Allow unit to cool before performing any maintenance.

After each use

Check both the inlet and outlet for obstructions or debris, and clean as needed.

Clean air inlet filter (Fig. B). Unscrew filter cap. If cap is too tight to remove by hand, a large wrench may be required to unscrew it. Remove filter element and use a vacuum cleaner or brush to remove any lint or debris. Check that O-ring is intact and properly seated before reinstalling the cap. Reassemble before use.

As needed

When dust is visible, clean cooling fan intake cover using a vacuum cleaner and brush tool.

Parts, service, and warranty information are available from your Legend Brands distributor.

CONTACT

Legend Brands, Inc.
15180 Josh Wilson Road
Burlington, WA 98233
Phone: 800-932-3030 Fax: 360-757-7950
LegendBrandsRestoration.com

SPECIFICATIONS	
Rated airflow	130 cfm 221 m³/h
Vacuum (max.)	84 in. H₂O 20.9 kPa
Static pressure (max)	88 in. H₂O 21.9 kPa
Dimensions (W × H × D)	20.8 × 26.3 × 18.4 in. 52.3 × 66.8 × 46.8 cm
Weight (w/attachments)	86.9 lbs. 39.4 kg
Amps/Volts/Freq./Power	12A / 115V / 60Hz / 1.5kW
Power cord	25 ft. 7.6 m Hospital grade lighted NEMA 5-15p
Sound level	71 dB
Safety	ETL listed to UL 507 and CSA C22.2 No. 113:15